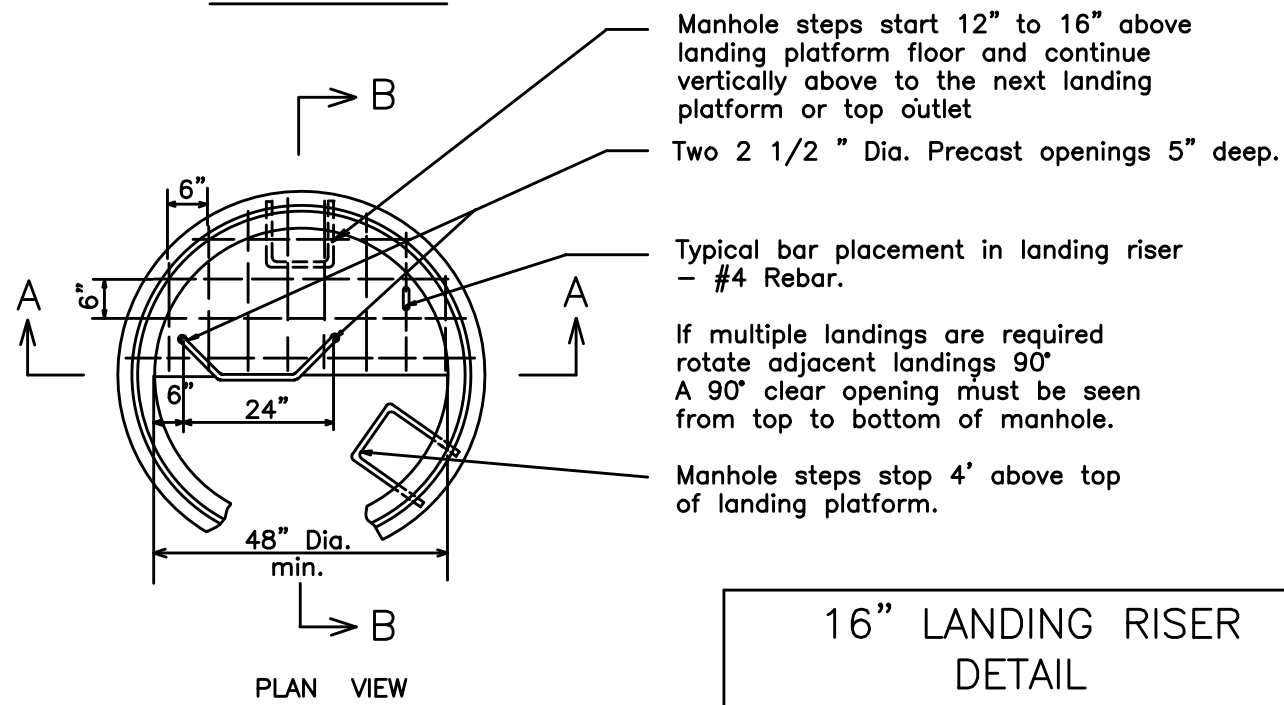
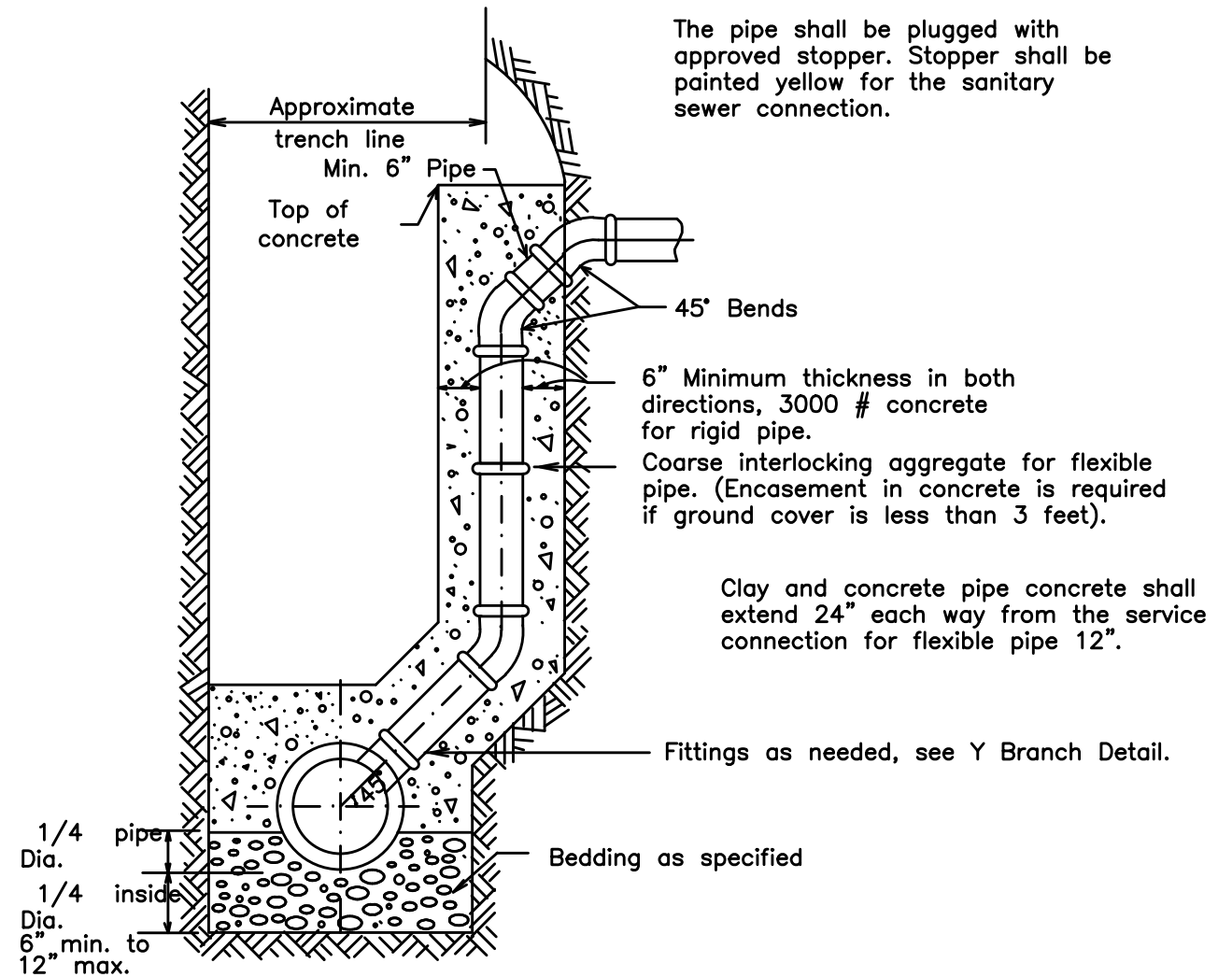


NOTE:

Landing Platforms as shown on the Landing Details shall be installed in manholes that are over 28 feet deep to the invert with a maximum vertical spacing of 20 feet.



16" LANDING RISER
DETAIL
FOR PRECAST MANHOLE



TYPICAL
RISER DETAIL

REVISIONS:

SCALE
NO SCALE

DATE : DEC. 1998

REVISIONS:

SCALE
NO SCALE

DATE : APRIL 2015