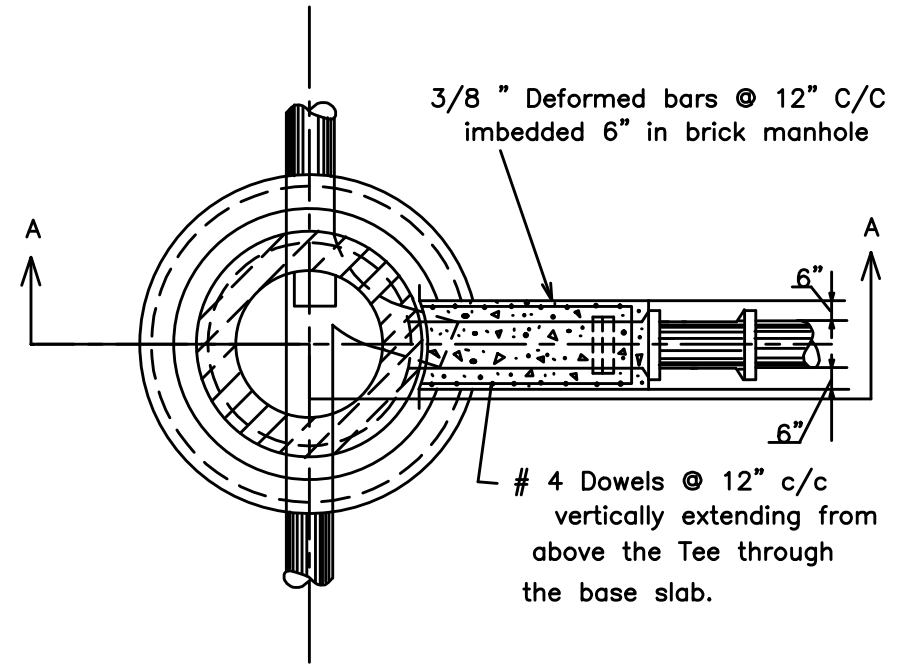


Two ring arches around all sewers passing through the walls

SECTION A - A



PLAN

NOTES:

The cylindrical section of the Manhole shall be extended vertically from the shelves for the distance equal to the internal diameter of the Largest Pipe entering the Manhole, with a minimum vertical height of 4' - 0".

BRICK DROP MANHOLE  
FOR STORM SEWER

REVISIONS:

SCALE  
NO SCALE

DATE : DEC. 1998

UNIFORM STANDARDS:

CLEVELAND ---- CUYAHOGA COUNTY ---- NORTHEAST OHIO REGIONAL SEWER DISTRICT