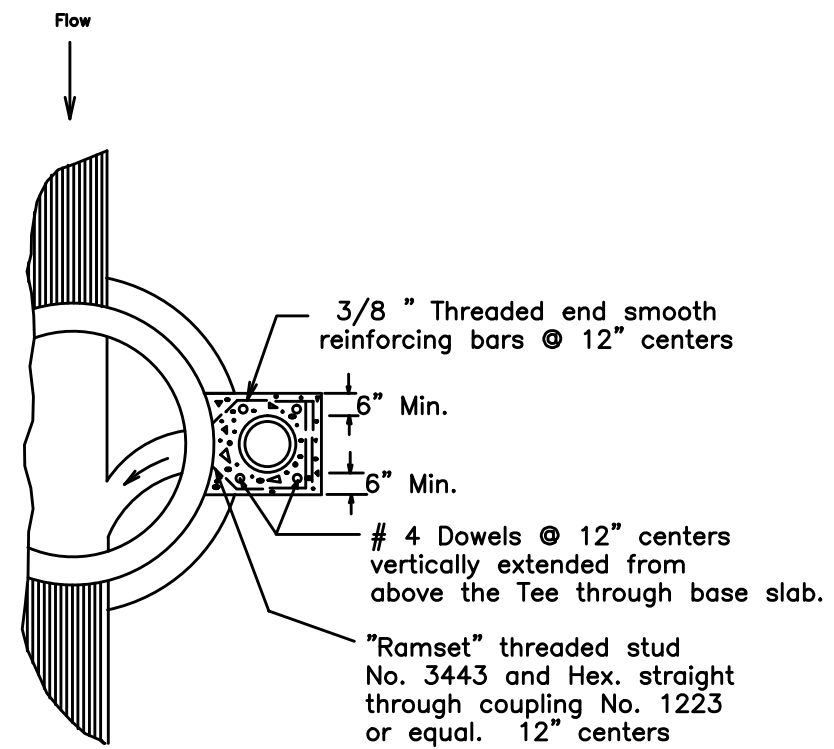


NOTE: This bedding with precast base on manhole.



SECTION A - A.

NOTES: A drop manhole shall be constructed in sanitary sewers wherever the distance between the inverts is 2.0 ft. or greater. General manhole details refer to sheet no. 4-27.

The following notes on the Precast Concrete manholes shall pertain to the Drop Manhole: Top or Transition openings in riser sections. Joint Seal, Materials and Landing Platforms.

Poured in place concrete shall be 3000# Concrete. Core bore seals shall meet ASTM C-923 and C-167.

PRECAST CONCRETE
DROP MANHOLE

REVISIONS:	SCALE NO SCALE	DATE : DEC. 1998
------------	-------------------	------------------

UNIFORM STANDARDS:	CLEVELAND ---- CUYAHOGA COUNTY ---- NORTHEAST OHIO REGIONAL SEWER DISTRICT
--------------------	--