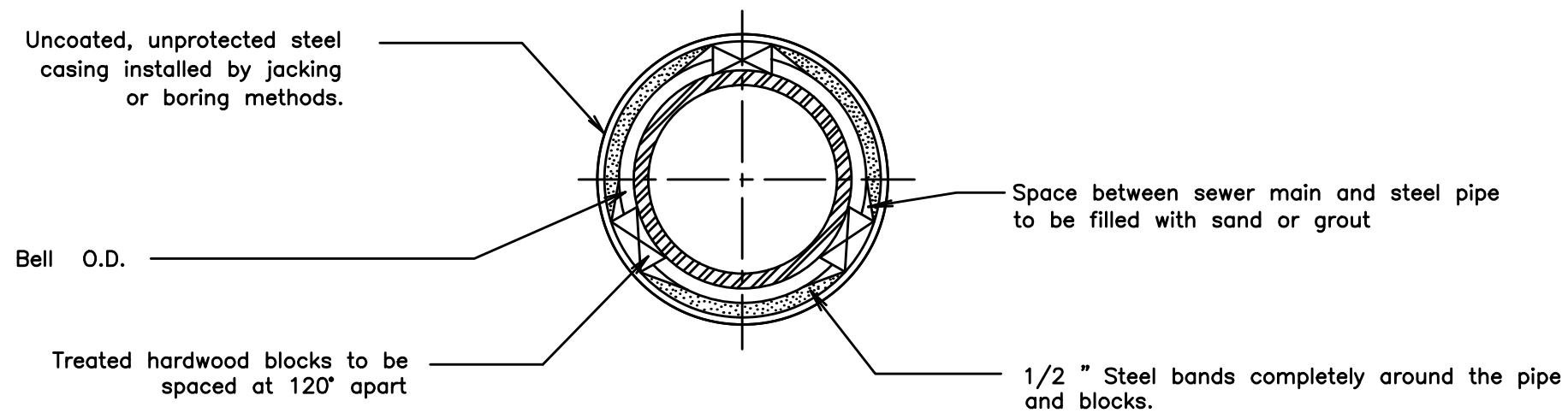


NOTE:

Casing pipe to have I.D. Minimum of 2" larger than bell O.D. of carrier pipe. Casing pipe to have a Minimum wall thickness of 0.250.

BLOCKS:

- 3 sets of treated hardwood blocks per 18' length of pipe.
- 4 sets of treated hardwood blocks per 20' length of pipe.
- Two blocks spaced 30" from joints. Additional blocks evenly spaced.



SECTION A - A

BORING DETAILS
FOR PAVED AREAS

REVISIONS:

SCALE
NO SCALE

DATE : DEC. 1998

UNIFORM STANDARDS: CLEVELAND ---- CUYAHOGA COUNTY ---- NORTHEAST OHIO REGIONAL SEWER DISTRICT