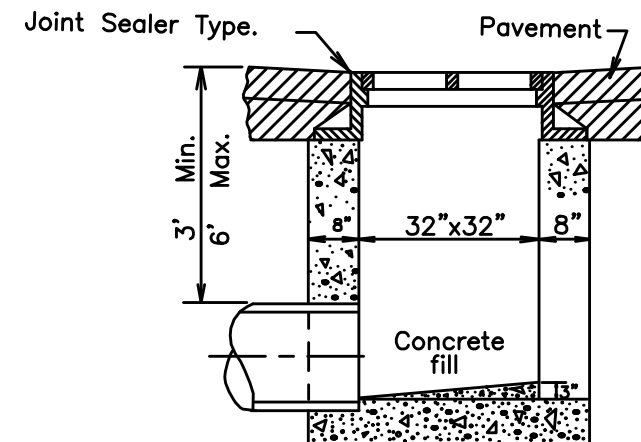


All precast concrete shall meet O.D.O.T. 706.13 requirement.

CATCH BASIN CASTINGS - East Jordan frame and grate No.5110 type or Neenah R - 4899 with type C cover.

NOTE:

Locations where the 3' minimum is not possible lesser depths are acceptable. Round catch basins will be accepted as an alternative. Catch basins will be constructed per O.D.O.T. ITEM No. 604, CAST - IN - PLACE will have a minimum of 8" reinforced walls. Precast shall have a minimum of 6" reinforced concrete walls. All grates shall be bicycle safe.



NOTE:

Grout pipe opening with cement mortar mix 1:2 if pipe is either CLAY or CONCRETE, use premium joint if pipe is PVC.

INLET BASIN CASTINGS - East Jordan No. 8313 grate No. 8313 M - 2 or Neenah R - 1878 and grate No. R - 1878 A9G.

NOTE:

All reinforcing shall be # 4 deformed bars
Concrete shall be ODOT class "C" #4000 PSI in 28 days.

OPENINGS IN CB SECTIONS for 18" and smaller inlet pipes shall be prefabricated. Flexible connections shall be provided for storm and/or combined sewers. Premium seals shall meet A.S.T.M C-923.

CATCH BASINS
FOR PAVED AREAS

REVISIONS:

SCALE
NO SCALE

DATE SEPTEMBER 18, 2018

UNIFORM STANDARDS:

CLEVELAND --- CUYAHOGA COUNTY --- NORTHEAST OHIO REGIONAL SEWER DISTRICT