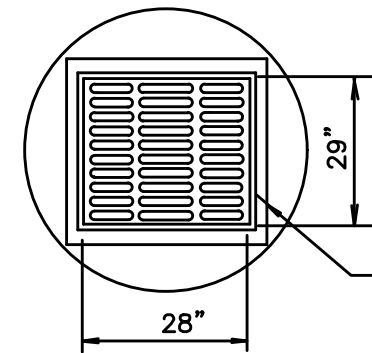


**NOTE:**

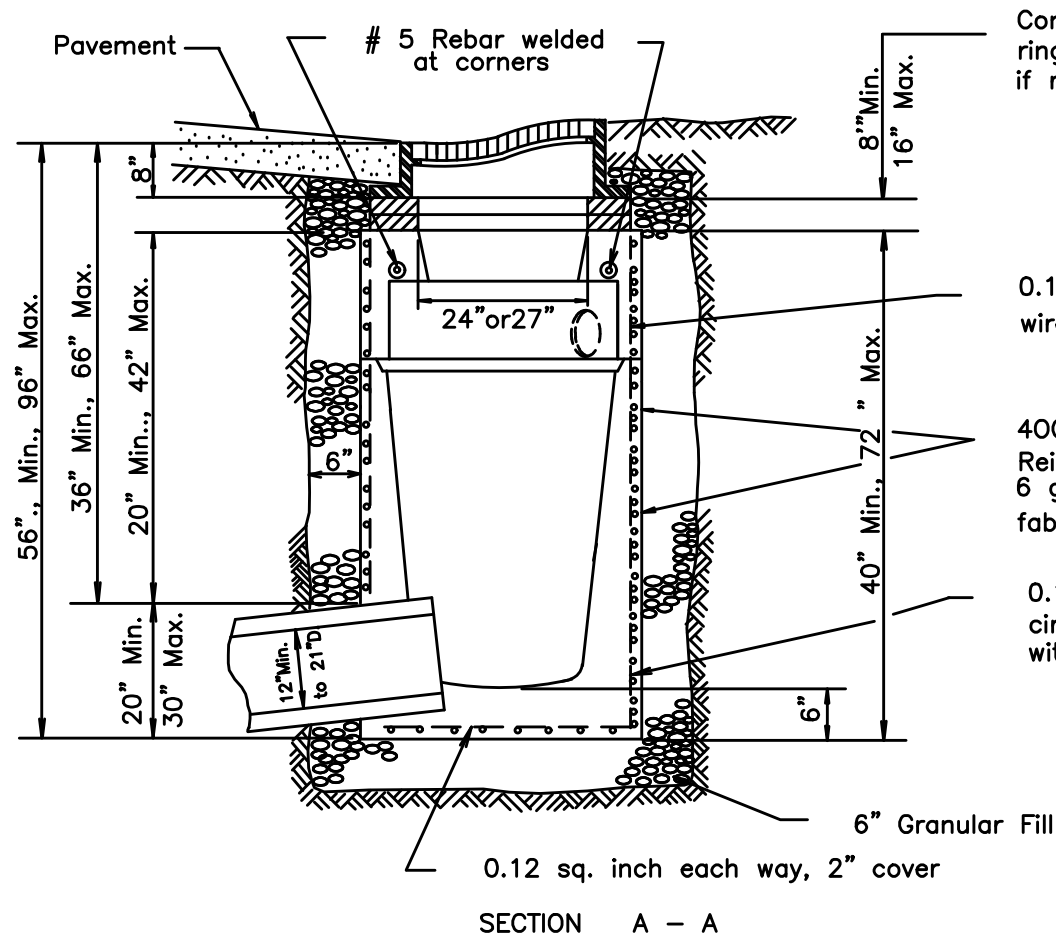
All reinforcing shall be # 4 deformed bars  
 Concrete shall be ODOT class "C" #4000 PSI  
 in 28 days.

OPENINGS IN INLET SECTIONS for 18" and smaller inlet  
 pipes shall be prefabricated. Flexible connections shall  
 be provided for storm and/or combined sewers.  
 Premium seals shall meet A.S.T.M C-923.



CASTING DETAIL

Casting as specified,  
 vertical or mountable



SECTION A - A

Conc. adjustment  
 rings or brick  
 if required

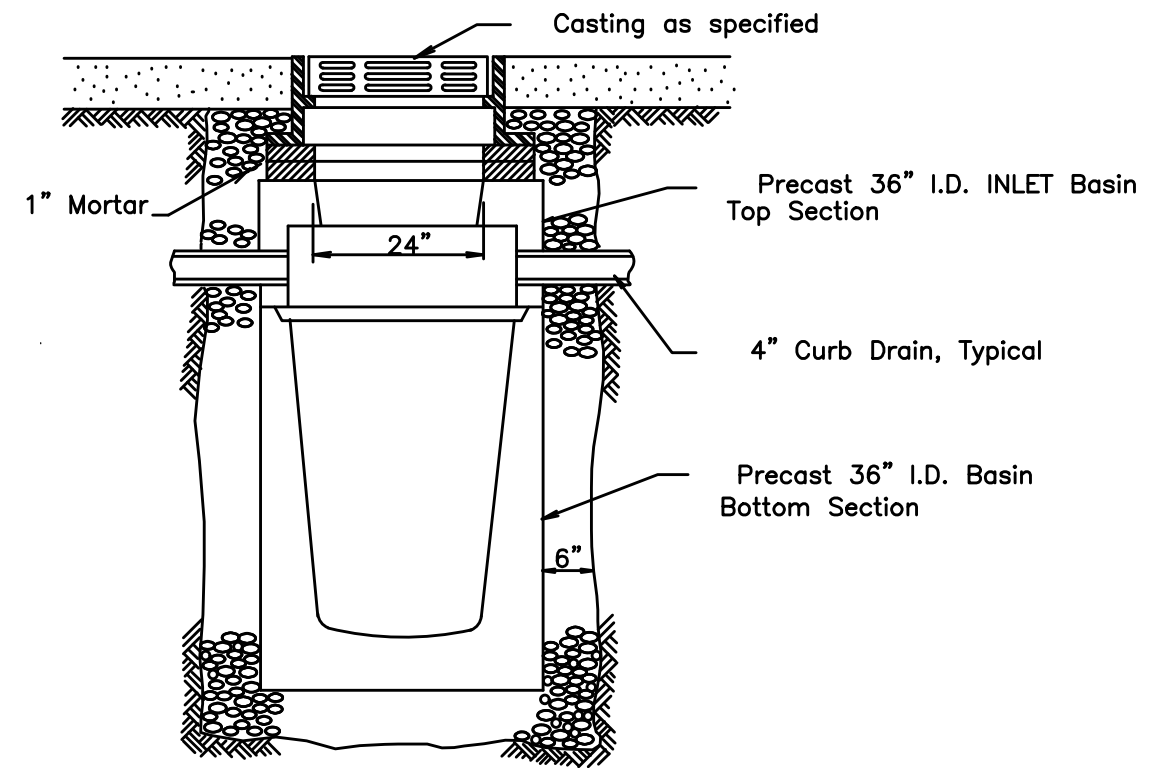
0.12 sq. in. per foot, welded  
 wire fabric in center of wall

4000 P.S.I. Concrete  
 Reinforced with 3"x 8"  
 6 ga. - 5 ga. welded wire  
 fabric

0.12 sq. in. per foot  
 circumferential reinforcement  
 with 2- 1/2 " cover

6" Granular Fill

0.12 sq. inch each way, 2" cover



SECTION B - B

ROUND PRECAST  
 CONCRETE INLET BASIN

REVISIONS:

SCALE  
 NO SCALE

DATE SEPTEMBER 18, 2018

UNIFORM STANDARDS:

CLEVELAND --- CUYAHOGA COUNTY --- NORTHEAST OHIO REGIONAL SEWER DISTRICT