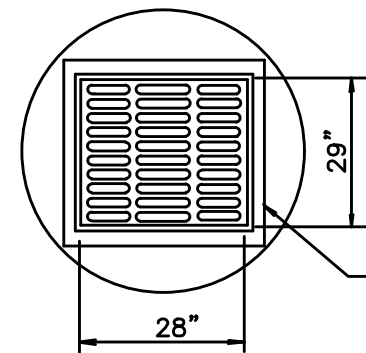


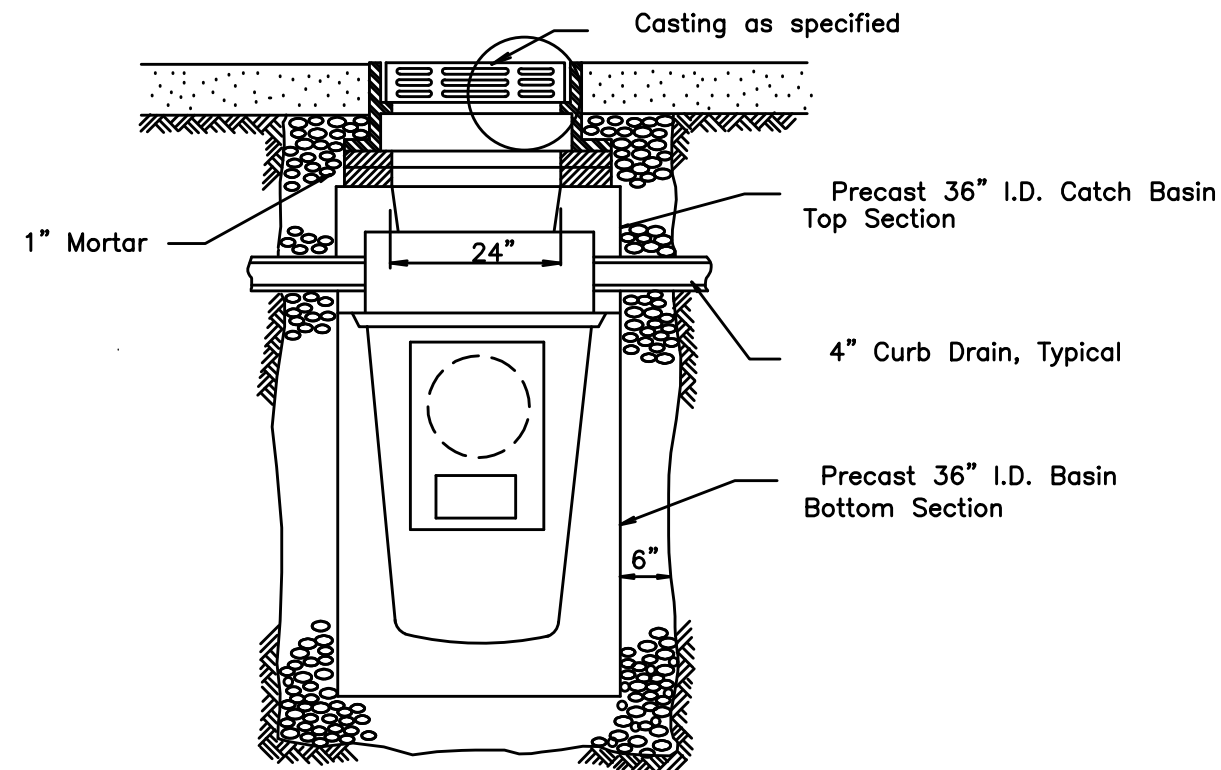
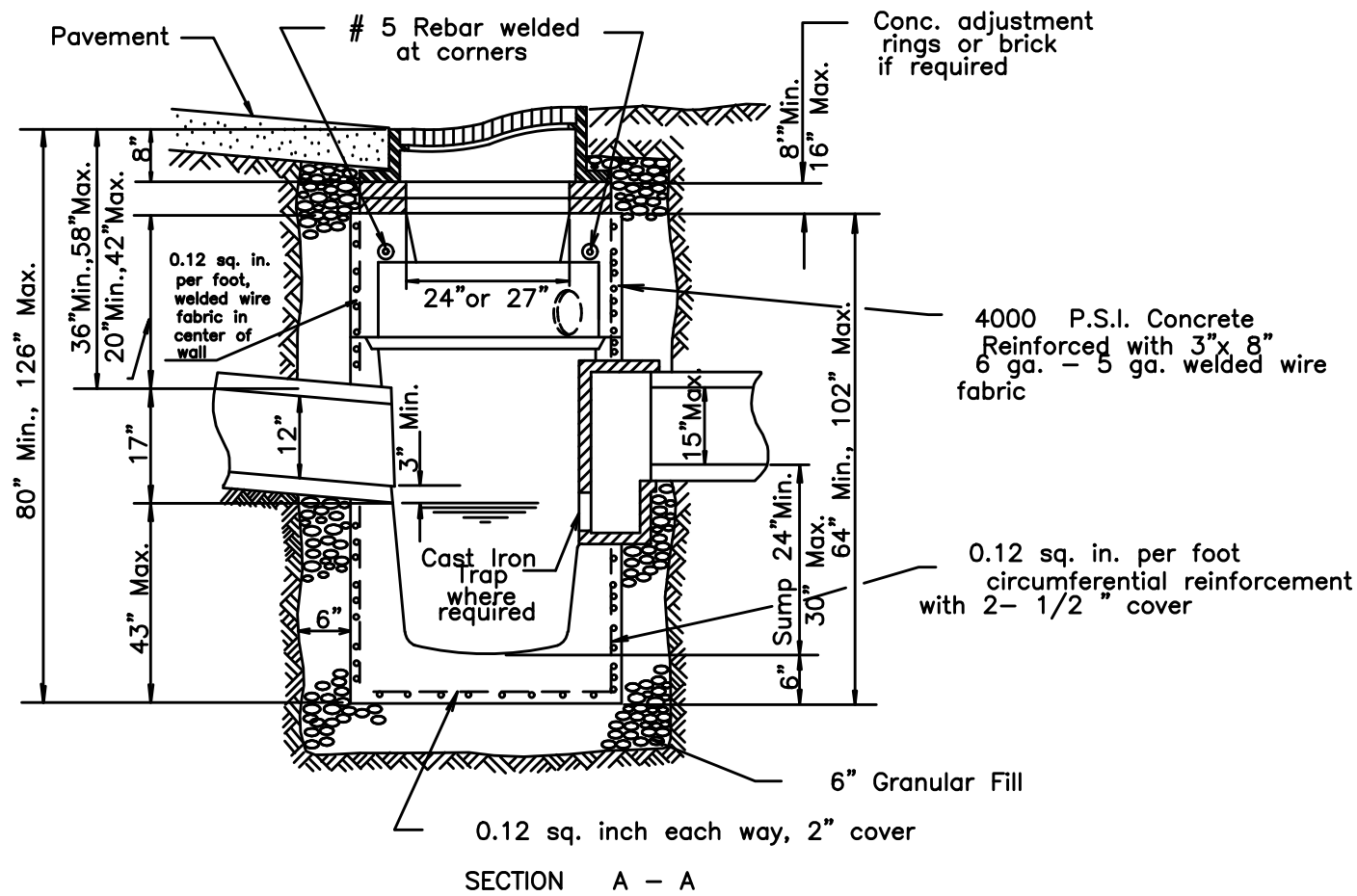
**NOTE:**

All reinforcing shall be # 4 deformed bars  
 Concrete shall be ODOT class "C" #4000 PSI  
 in 28 days.

OPENINGS IN CB SECTIONS for 18" and smaller inlet  
 pipes shall be prefabricated. Flexible connections shall  
 be provided for storm and/or combined sewers.  
 Premium seals shall meet A.S.T.M C-923.



Casting as specified,  
 vertical or mountable



**ROUND PRECAST  
 CONCRETE CATCH BASIN**

REVISIONS:

SCALE  
 NO SCALE

DATE SEPTEMBER 18, 2018

UNIFORM STANDARDS: CLEVELAND --- CUYAHOGA COUNTY --- NORTHEAST OHIO REGIONAL SEWER DISTRICT