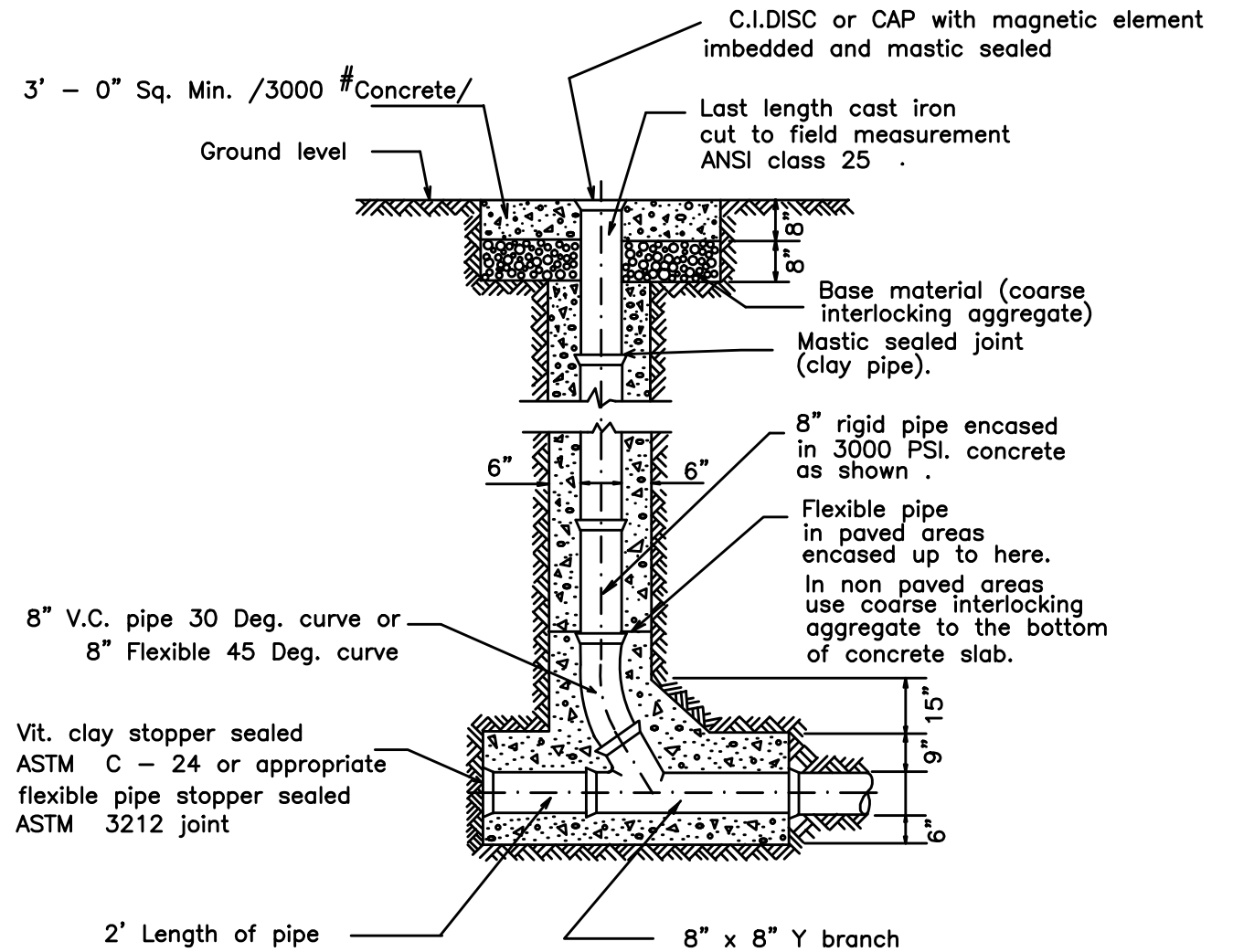


SPECIAL INLET

NOTE:

8" Clean out shall be used for 8" sewer and larger
Smaller size sewers and lamp holes shall have same size pipe.



CLEANOUT

REVISIONS:

SCALE
NO SCALE

DATE : DEC. 1998

REVISIONS:

SCALE
NO SCALE

DATE : DEC. 1998

UNIFORM STANDARDS:

CLEVELAND --- CUYAHOGA COUNTY --- NORTHEAST OHIO REGIONAL SEWER DISTRICT