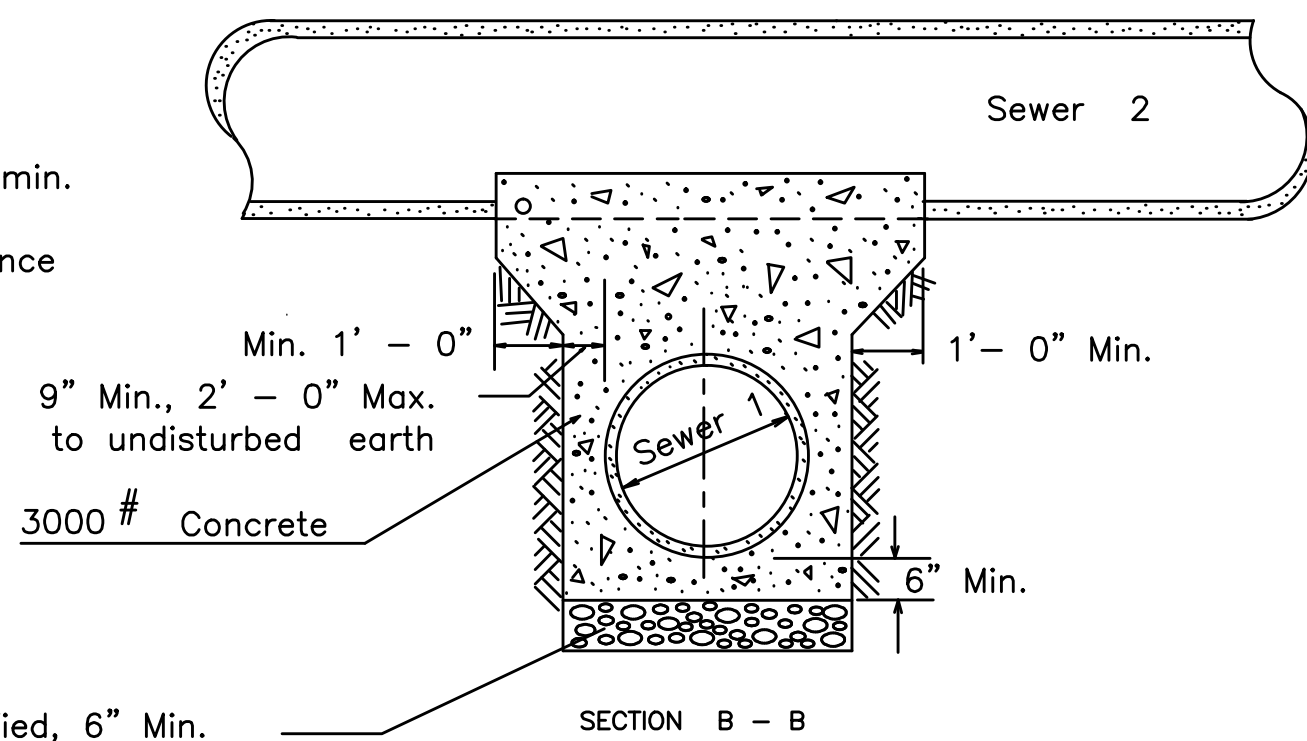
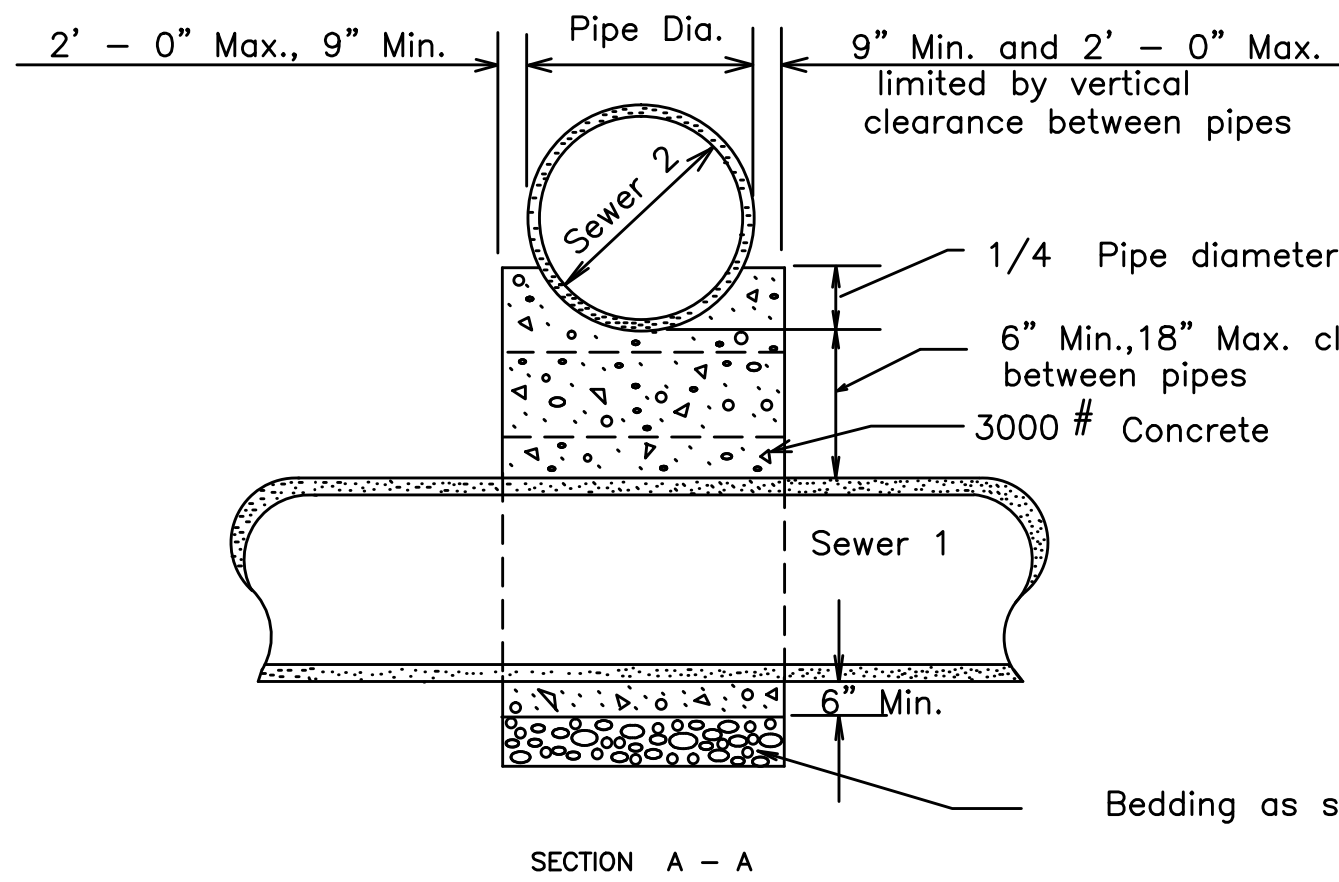
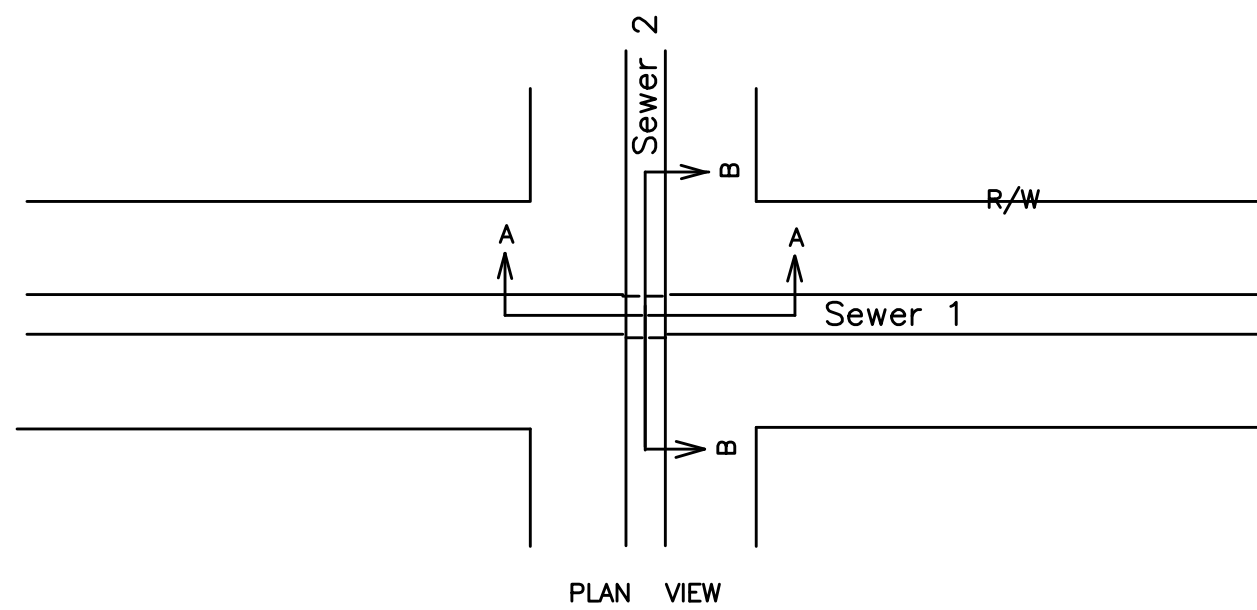


**NOTE :**

Encasement required when pipe clearance is less than 18"



**CONCRETE ENCASEMENT**  
MONOLITHIC CRADLING OF UPPER PIPE

REVISIONS:

SCALE  
NO SCALE

DATE : DEC. 1998

UNIFORM STANDARDS: CLEVELAND --- CUYAHOGA COUNTY --- NORTHEAST OHIO REGIONAL SEWER DISTRICT