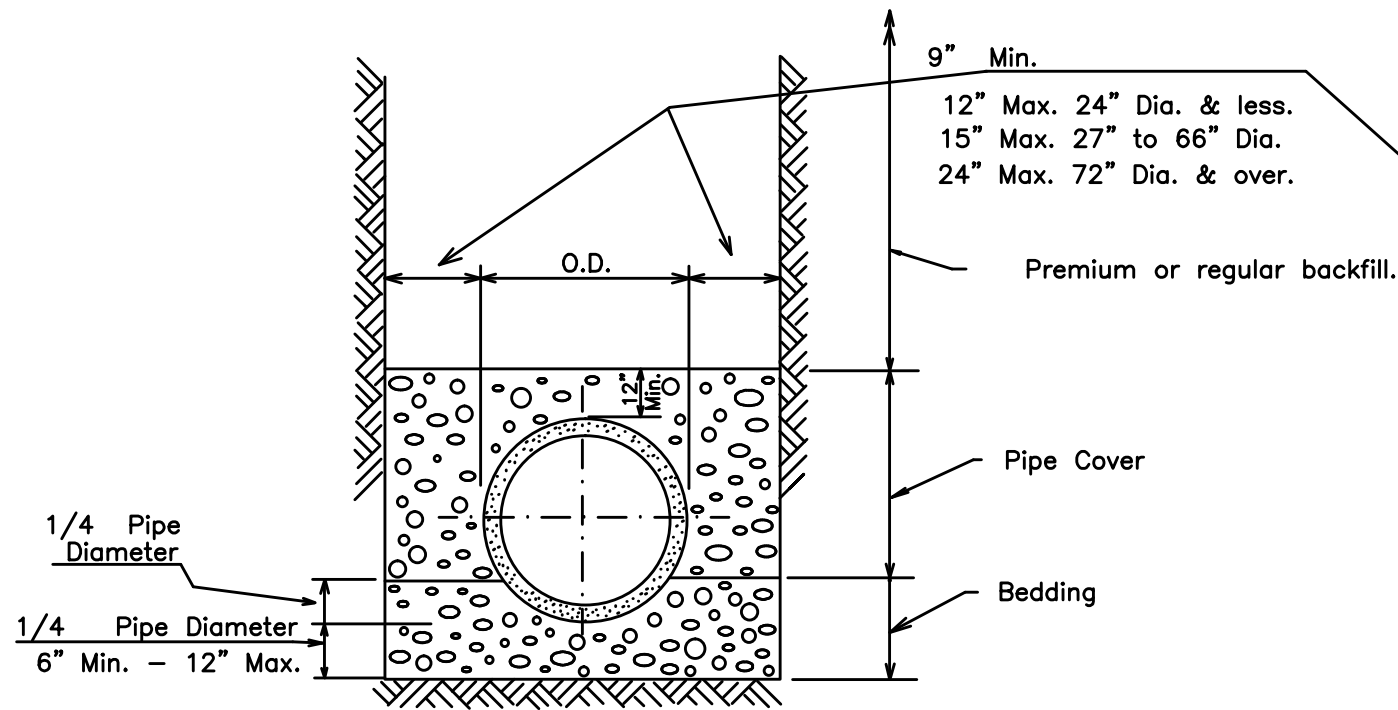


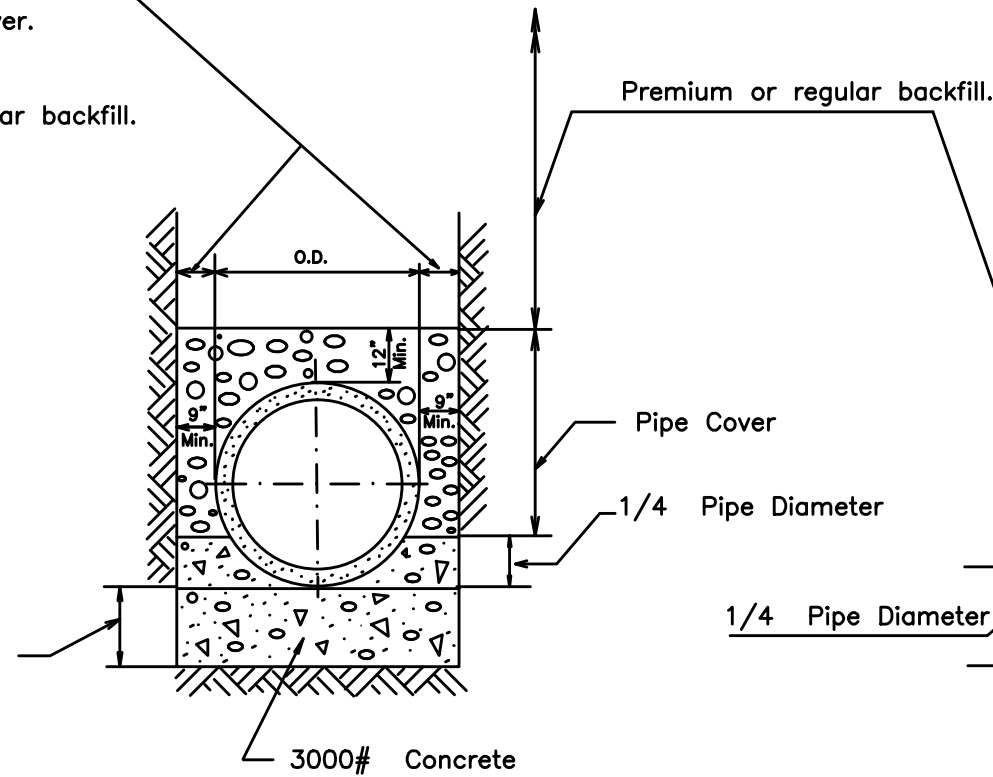
Trench width and concrete cradle width shall be O.D. of pipe plus 9" on each side of pipe.

**NOTE:**

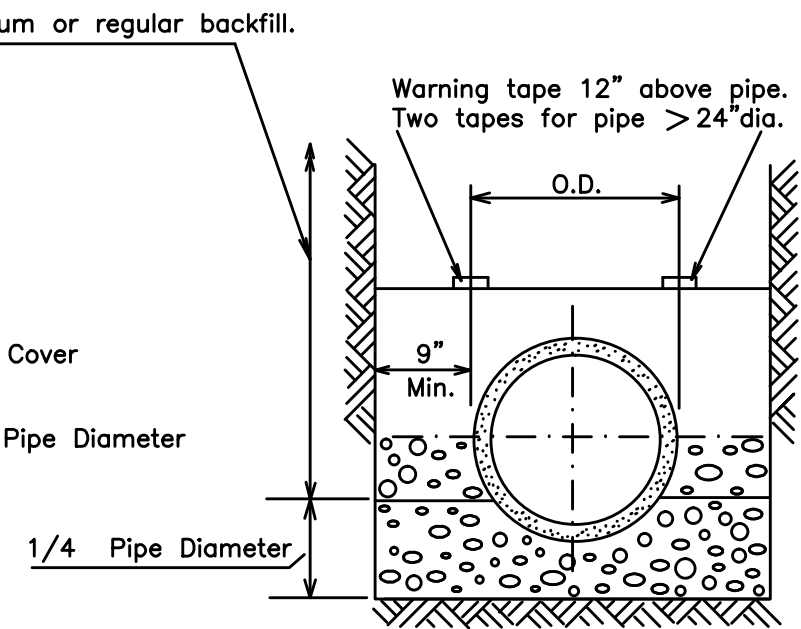
Lateral connections to have a minimum bedding depth of 3" coarse aggregate.



TYPICAL TRENCH DETAIL  
(FLEXIBLE PIPE)



TYPICAL TRENCH DETAIL  
WITH CONCRETE CRADLE



TYPICAL TRENCH DETAIL  
FOR CONCRETE OR DUCTILE IRON PIPE

Pipe Cover shall consist of coarse interlocking aggregate no. 57,6,67,68,7,78,or8.

Bedding shall consist of coarse interlocking aggregate no.57,6,67, 68, 7, 78, or 8 for 60" or smaller diameter pipe. For 66" or larger diameter pipe no. 4 aggregate may also be used.

Premium Backfill shall consist of coarse interlocking aggregate no. 57,6,67,68,7,78,8,304, also limestone screenings.

For concrete and ductile iron pipe, pipe cover is to the springline or greater.

In paved areas coarse interlocking aggregate to the top of the trench on all types of pipe.

TYPICAL TRENCH  
DETAILS

REVISIONS:

SCALE  
NO SCALE

DATE : DEC. 1998

UNIFORM STANDARDS:

CLEVELAND --- CUYAHOGA COUNTY --- NORTHEAST OHIO REGIONAL SEWER DISTRICT