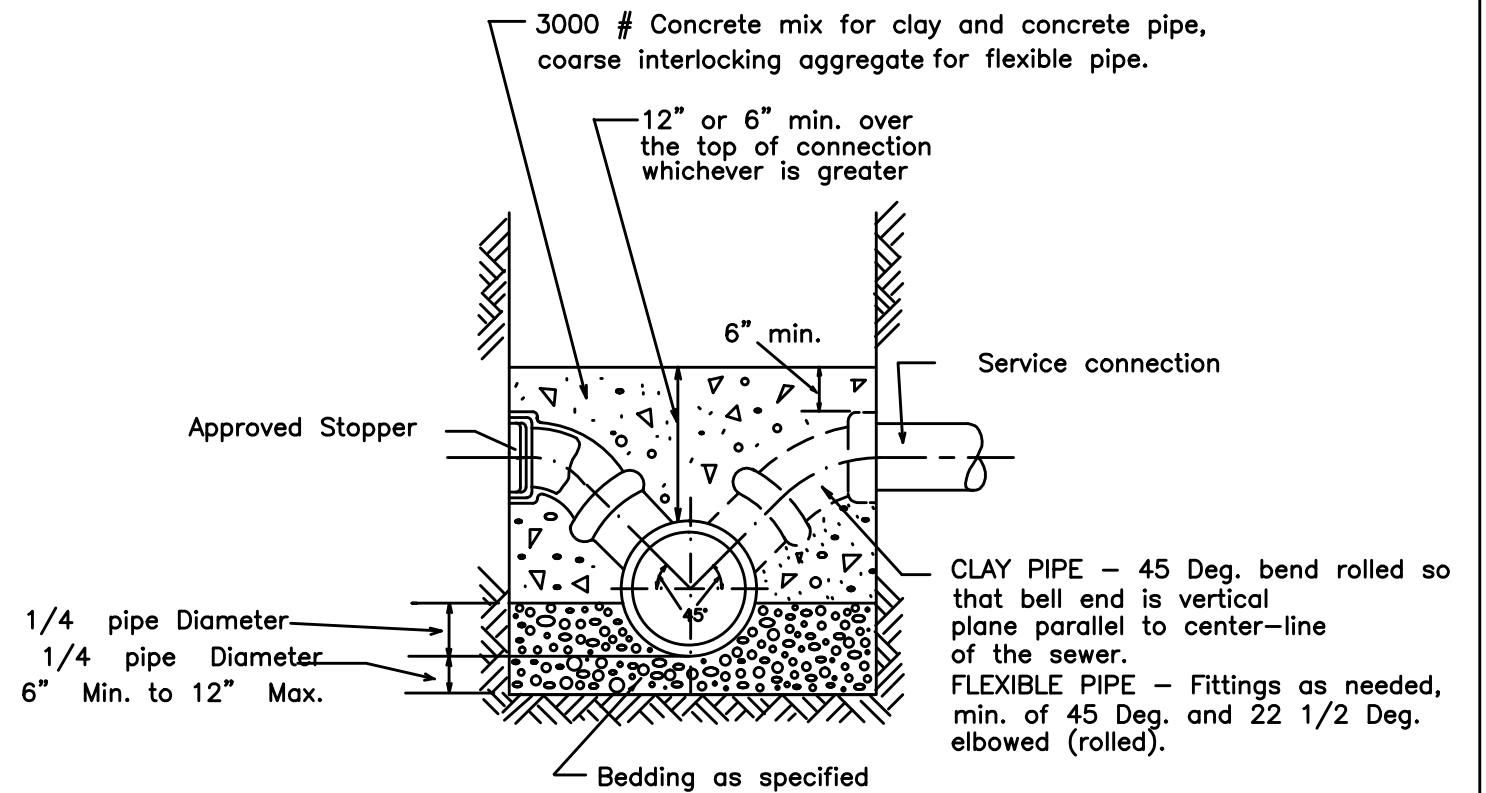


TYPICAL SLANT DETAIL

NOTE:

Concrete and Clay pipe—
 Concrete shall extend along
 sewer trenches 24" each
 way from service connection.
 Core Bore seal shall meet
 ASTM C - 923 and ASTM C- 167



TYPICAL Y - BRANCH DETAIL

Encasement in concrete is required if ground
 cover is less than 3 feet for all pipes.

SLANT AND Y - BRANCH
 DETAILS

REVISIONS:

SCALE
 NO SCALE

DATE: DEC. 1998

UNIFORM STANDARDS:

CLEVELAND ---- CUYAHOGA COUNTY ---- NORTHEAST OHIO REGIONAL SEWER DISTRICT