

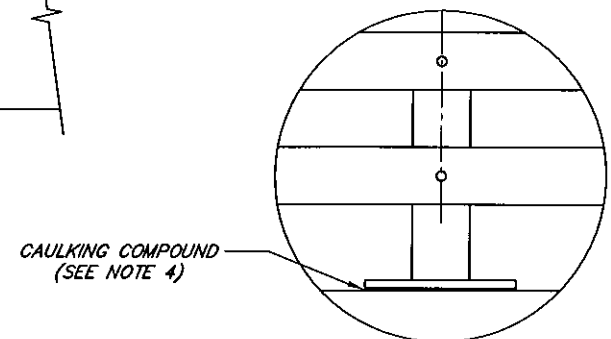
PARAPET & FENCE ELEVATION
(INSIDE FACE ADJACENT TO SIDEWALK/ROADWAY)

NOTE:

AREA TO BE SEALED PRIOR TO INSTALLING BRIDGE TERMINAL ASSEMBLY (TYP. OUTSIDE FACE)

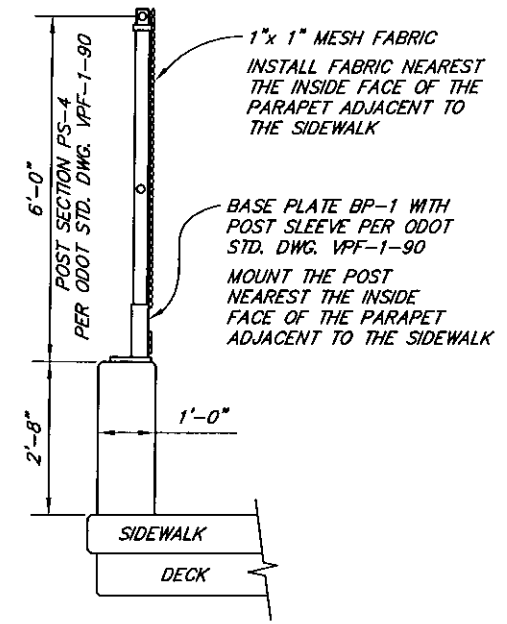
FENCE POST SPACING	CONTROL JOINT SPACING	
A	B	C
10'-0"	5'-0"	2'-6"
9'-6"	5'-0"	2'-3"
9'-0"	5'-0"	2'-0"
8'-6"	4'-6"	2'-0"
8'-0"	4'-0"	2'-0"
7'-6"	4'-0"	1'-9"
7'-0"	3'-6"	1'-9"
6'-6"	3'-0"	1'-9"

NOTE: FOR FENCE POST SPACING LESS THAN 6'-6" (E.G., ODOT STD. VPF-1-90 POST SPACING = 5'-0" MAX.), REFER TO THE "PARAPET & RAIL ELEVATION" DETAIL FOR APPROPRIATE CONTROL JOINT SPACINGS.

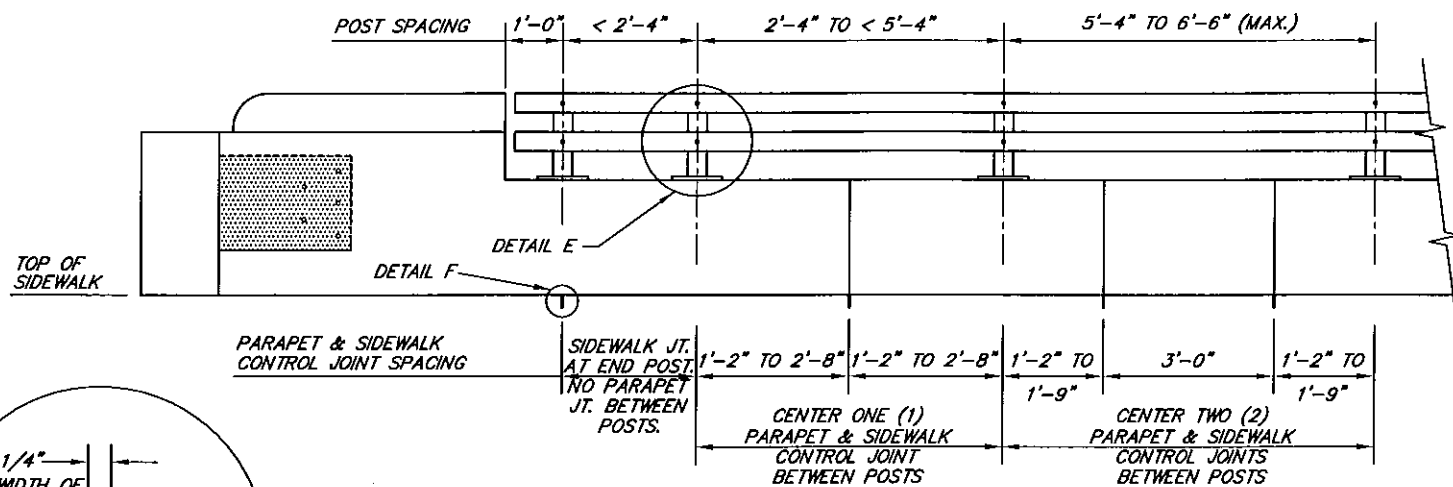


DETAIL E

BASE PLATE CAULKING
(TYP. ALL FENCE & RAIL BASE PLATES)

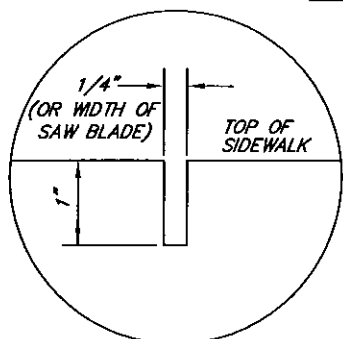


SECTION D-D
(STRUCTURES WITH SIDEWALK)



PARAPET & RAIL ELEVATION

(INSIDE FACE ADJACENT TO SIDEWALK/ROADWAY)
(ODOT STD. BR-2-98 PARAPET SHOWN, BR-1 & SBR-1-99 DEFLECTOR PARAPETS SIMILAR)
(ODOT STD. BR-2-98 TUBE RAILING SHOWN, ODOT STD. VPF-1-90 FENCING SIMILAR)



DETAIL F

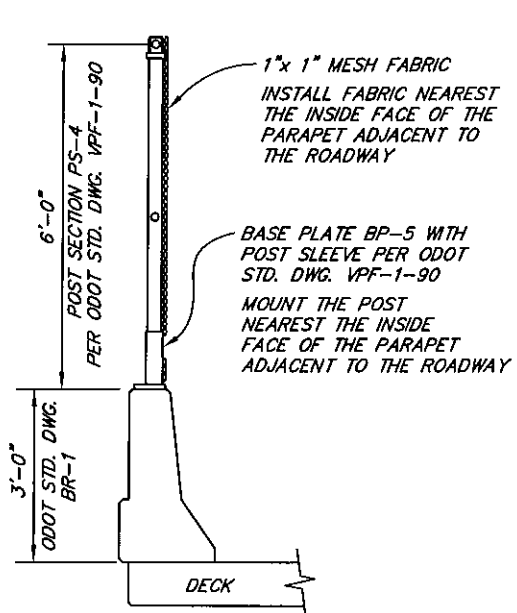
SIDEWALK CONTROL JOINT (SAW-CUT)

LEGEND:

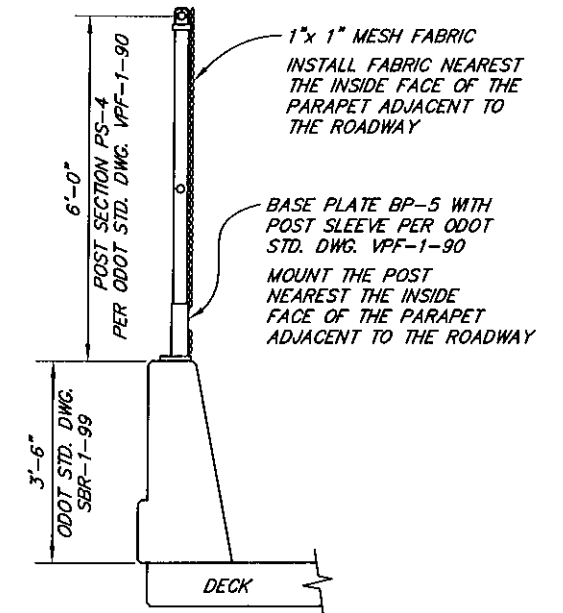
- DWG. = DRAWING
- MAX. = MAXIMUM
- STD. = STANDARD
- TYP. = TYPICAL
- JT. = JOINT
- ODOT = OHIO DEPARTMENT OF TRANSPORTATION
- NCHRP = NATIONAL COOPERATIVE HIGHWAY RESEARCH PROGRAM

NOTES:

1. THIS DRAWING IS TO BE USED IN CONJUNCTION WITH ODOT STANDARD DRAWINGS BR-1, BR-2-98, SBR-1-99 AND VPF-1-90.
2. ON STRUCTURES WITHOUT SIDEWALKS WHERE FENCE IS REQUIRED AND A BIKEWAY CROSSES THE STRUCTURE, THE BR-1 OR SBR-1-99 PARAPET MAY ALSO BE TOPPED WITH A 1'-6" STRUCTURAL TUBE RAILING (SUCH AS ILLUSTRATED ON ODOT STD. DWG. BR-2-98). IN THIS CASE, THE FENCE POSTS SHALL BE MOUNTED BEHIND THE RAILING IN ACCORDANCE WITH ODOT STD. DWG. VPF-1-90, EXCEPT THAT THE MESH FABRIC SHALL PREFERABLY BE INSTALLED ON THE ROADWAY SIDE OF THE FENCE POSTS.
3. ANY AESTHETIC DETAILS PROPOSED FOR THE PARAPETS, RAILS, FENCE POSTS AND MESH FABRIC SHALL BE SPECIFIED IN THE PROJECT PLANS. TEXTURED TREATMENT APPLIED TO BR-1 CONCRETE PARAPETS SHALL HAVE A MAXIMUM RELIEF OF 3/8". TEXTURED TREATMENT APPLIED TO SBR-1-99 AND VERTICAL FACE CONCRETE PARAPETS SHALL CONFORM TO NCHRP REPORT 554.
4. CAULKING COMPOUND SHALL CONFORM TO FEDERAL SPECIFICATION TT-S-00230C TYPE II, CLASS A, ALUMINUM GRAY OR A COLOR TO MATCH THE COATING COLOR OF THE CONCRETE PARAPET OR THE POST BASE PLATE. WHEN APPLYING THE CAULK TO THE BASE PLATE, PROVIDE A ONE INCH (1") OPENING THROUGH THE CAULKING ON THE LOW SIDE OF THE BASE PLATE.



SECTION D-D
(STRUCTURES WITHOUT SIDEWALK)



Plot Scale: 1:2 (Half-Size)