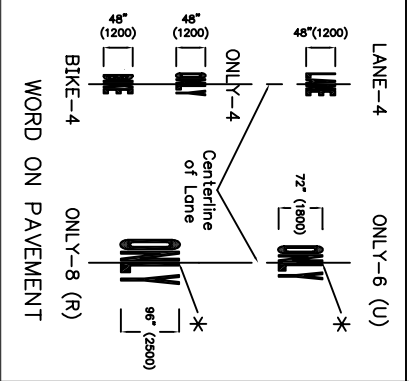
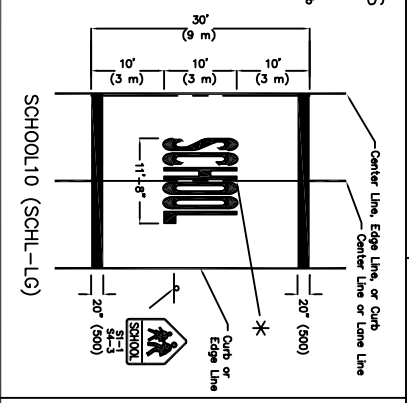
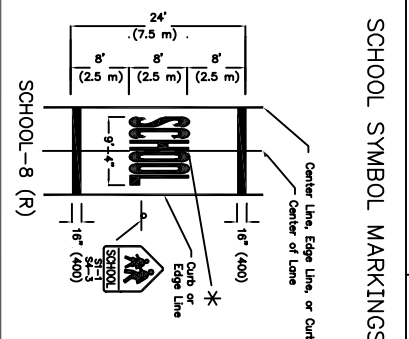
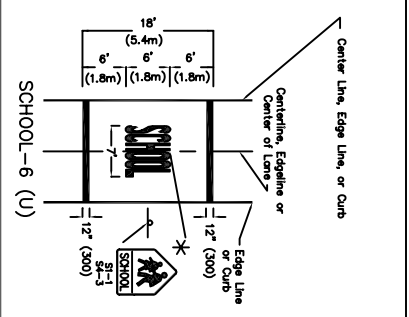
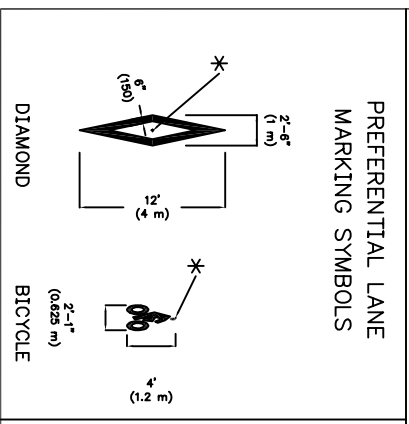


Center Lines Shall be YELLOW.
Edge, Dotted, and Transverse Lines and Island Marking may be YELLOW or WHITE.
All other Pavement Markings Shall be WHITE.

* = STATION REFERENCE POINT
Metric values are mm unless otherwise indicated



CUYAHOGA COUNTY ENGINEER

PAVEMENT MARKING DETAILS

DRAWING NUMBER MKG-1C

DATE 01-26-2004