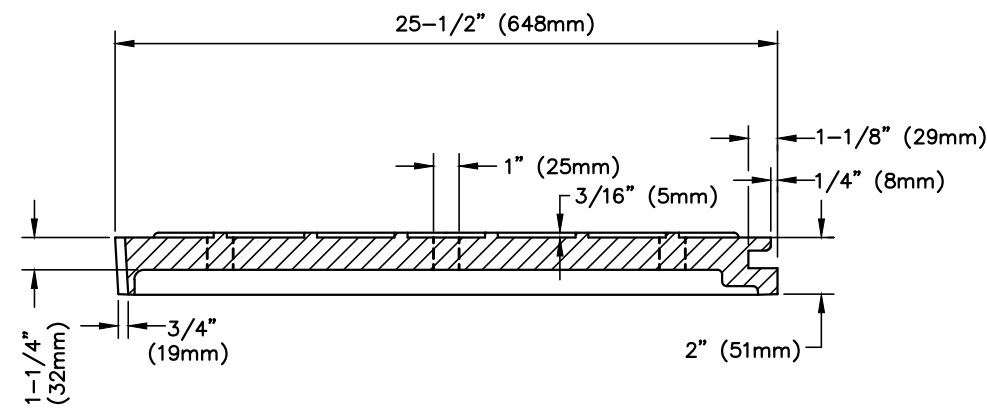


SECTION "A-A"



SECTION "B-B"

NOTES:

CASTINGS SHALL MINIMALLY MEET THE REQUIREMENTS OF ITEM 611-711.12, ASTM A 48, AND MINIMALLY BE CLASS 35B GRAY IRON. THE DESIGN SHALL BE ESSENTIALLY THE SAME AND EQUALLY AS STRONG AS THOSE SHOWN HEREON.

MINIMUM WEIGHTS:

NO. 9 FRAME	=	300 LBS. (136 kg) ±5%
NO. 9A FRAME	=	270 LBS. (122 kg) ±5%
COVER	=	195 LBS. (88 kg) ±5%

BEARING AREAS OF FRAME AND COVER SHALL BE FINISHED SMOOTH AND FITTED SO AS TO PROVIDE A FIRM AND EVEN SEAT FOR ALL PORTIONS OF THE COVER IN THE FRAME. NO PROJECTIONS SHALL EXIST ON BEARING AREAS OF EITHER CASTING AND THE COVER SHALL SEAT IN ITS FRAME WITHOUT ROCKING. EACH FRAME AND COVER SHALL BE FITTED, MATCHED AND MARKED BEFORE DELIVERY TO THE PROJECT. THE BASE OF THE FRAME SHALL BE SET IN A FULL BED OF PORTLAND CEMENT MORTAR AND ADJUSTED TO CONFORM TO THE FINISHED SURFACE ELEVATION AND SLOPE.

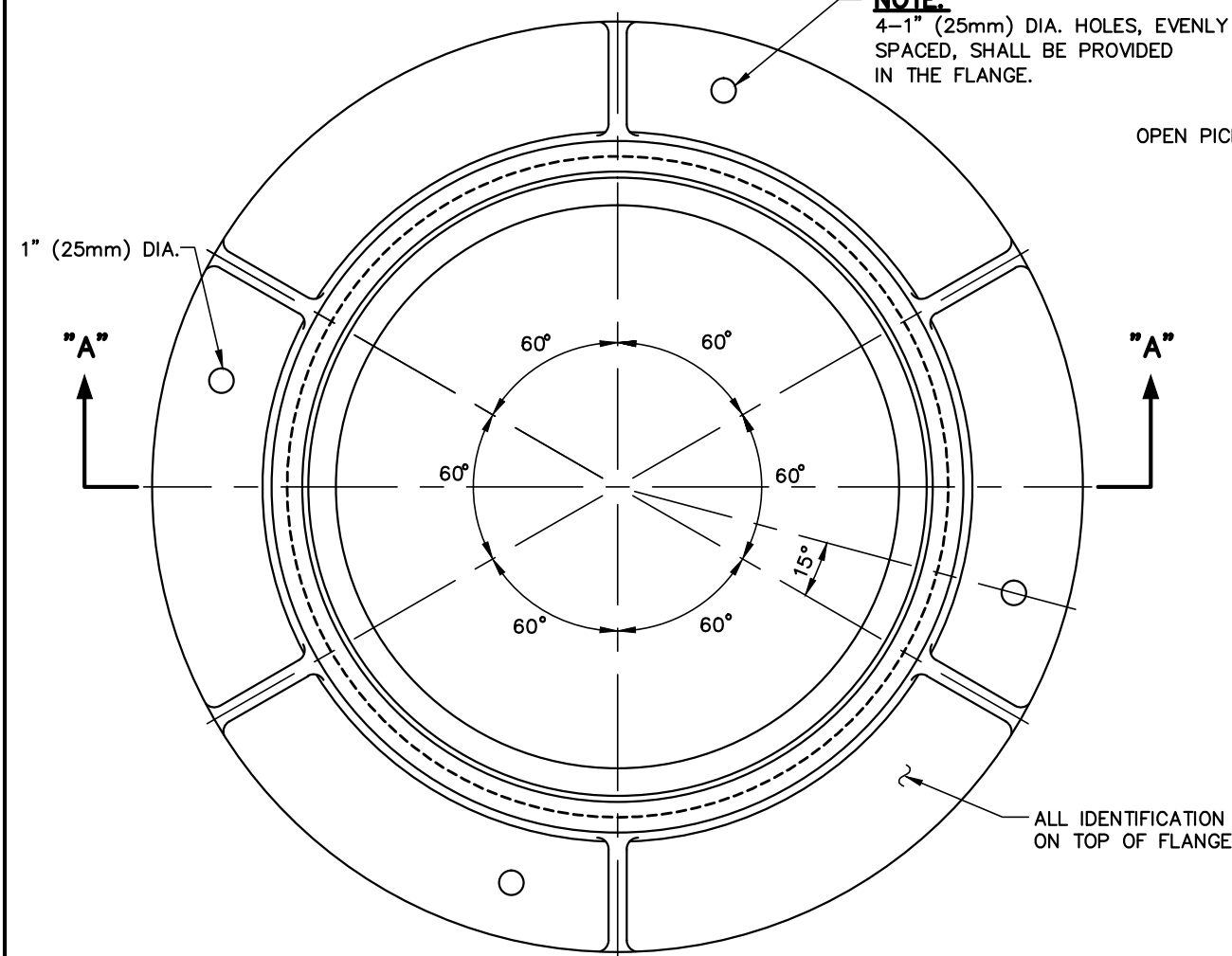
PROVIDED THEY COMPLY WITH THE SPECIFICATIONS, DETAILS, DIMENSIONS AND MINIMUM WEIGHTS, ACCEPTABLE CASTING ASSEMBLIES ARE NEENAH No. R-1729, EAST JORDAN No. 1700 OR EQUAL WHEN USING No. 9 FRAME AND NEENAH No. R-1729-1, EAST JORDAN No. 1703 OR EQUAL WHEN USING No. 9A FRAME. No. 9A FRAMES MAY BE USED OUTSIDE PAVED AREAS WHEN COVER REQUIREMENTS SO WARRANT THEIR USE.

SANITARY COVERS: WHERE (IF) THIS CASTING ASSEMBLY IS SPECIFIED OR OTHERWISE USED FOR SANITARY SEWER MANHOLES, THE COVER SHALL BE CAST WITHOUT THE VENT HOLES AND THE OPEN PICK HOLE SHOWN HEREON. BOLT-DOWN COVERS OR SEALING GASKETS SHALL NOT BE REQUIRED OR USED UNLESS SPECIFIED IN THE PLANS.

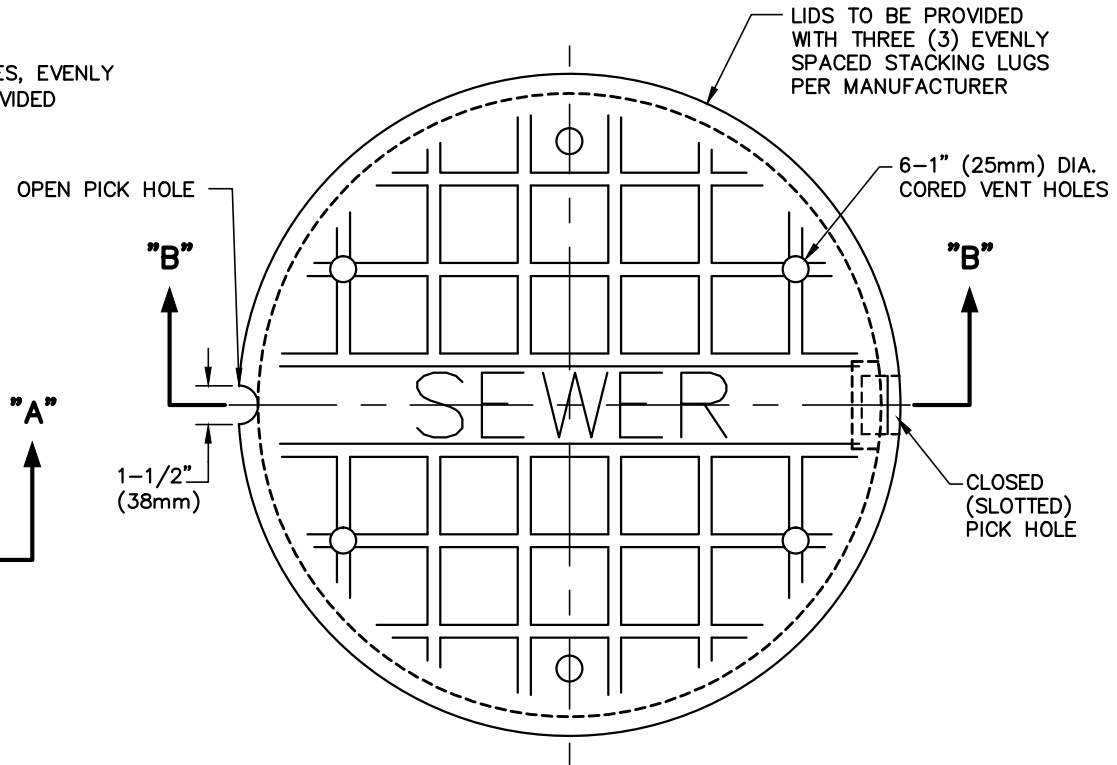
APPROVED CHIMNEY SEALS ARE REQUIRED FOR ALL NEW SANITARY SEWER MANHOLES AND FOR EXISTING PRECAST SANITARY SEWER MANHOLES ADJUSTED/RECONSTRUCTED TO GRADE. A MINIMUM THREE (3) INCH VERTICAL WALL IS REQUIRED BELOW THE CASTING FOR INSTALLATION OF CHIMNEY SEALS.

NOTE:

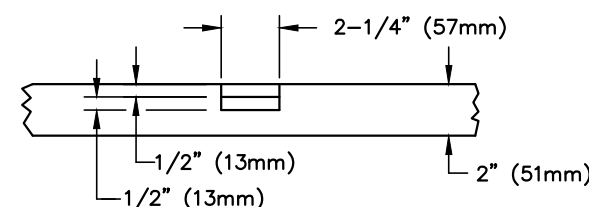
4-1" (25mm) DIA. HOLES, EVENLY SPACED, SHALL BE PROVIDED IN THE FLANGE.



PLAN DETAIL FOR No.9 & No.9A FRAMES



PLAN No. 28 COVER



CLOSED PICK HOLE DETAIL

CUYAHOGA COUNTY ENGINEER

CUYAHOGA COUNTY
MANHOLE CASTINGS

DATE
12-07-99
10-29-01
05-31-10
10-31-13

CONSTRUCTION DRAWING MH-10C