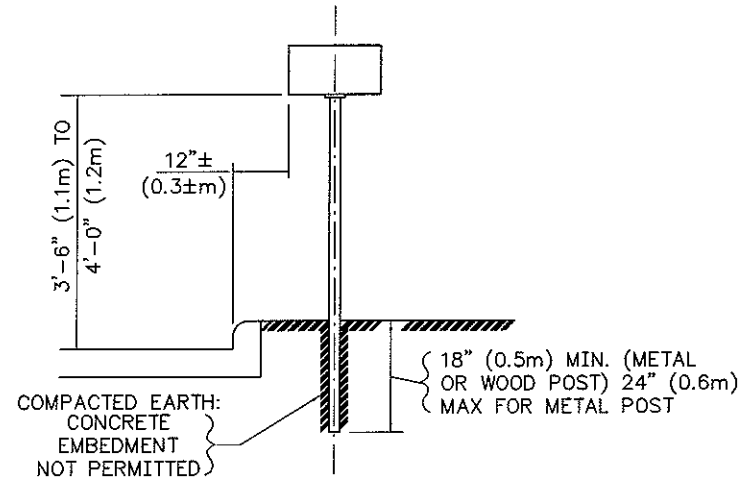
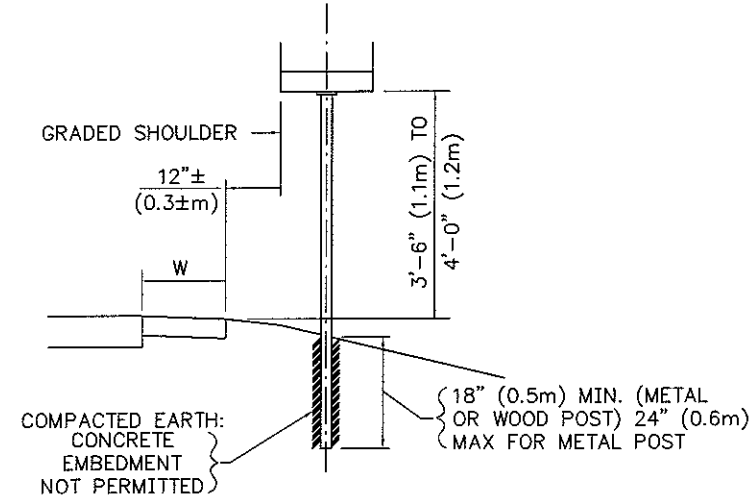


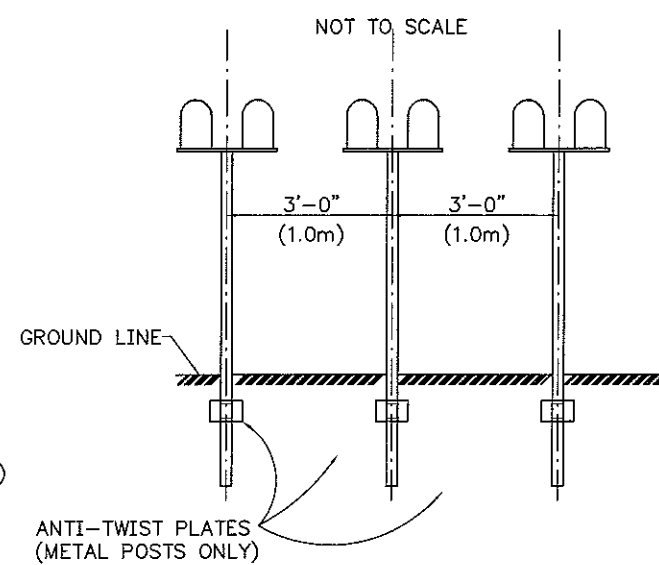
**MAILBOX INSTALLATION DETAILS
(CURBED PAVEMENT)**
NOT TO SCALE



**MAILBOX INSTALLATION DETAILS
(PAVED SHOULDERS/MAILBOX TURNOUTS)**
NOT TO SCALE



GROUP MAILBOX INSTALLATION
NOT TO SCALE



NOTES:
MAILBOX SUPPORTS

WOOD POSTS SHALL BE NOMINAL 4" x 4" SQUARE OR 4 1/2" DIAMETER ROUND, AND SHALL CONFORM TO 710.14. STEEL POSTS SHALL BE NOMINAL PIPE SIZE 2" I.D., AND SHALL CONFORM TO AASHTO M-181, AND SHALL BE FURNISHED WITH ANTI-TWIST PLATES. ANY MATERIAL WITH BREAKAWAY CROSS SECTION CHARACTERISTICS EQUIVALENT TO THE ABOVE MAY BE SUBSTITUTED WITH THE APPROVAL OF THE ENGINEER. HARDWARE (PLATES, SCREWS, BOLTS, ETC.) SHALL BE COMMERCIAL GRADE GALVANIZED STEEL.

POSTS SHALL BE SET IN ACCORDANCE WITH THE FIRST PARAGRAPH OF 606.03, AND SHALL IN NO INSTANCE BE ENCASED IN CONCRETE. DEPTH OF EMBEDMENT SHALL BE 18" MINIMUM (24" MAXIMUM FOR STEEL POSTS).

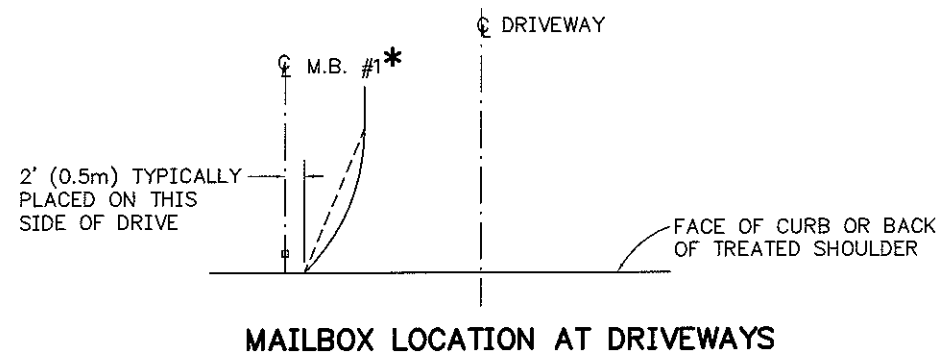
SUPPORT HARDWARE SHALL ACCOMMODATE EITHER A SINGLE OR A DOUBLE MAILBOX INSTALLATION. IN NO CASE SHALL MORE THAN TWO BOXES BE MOUNTED ON A SINGLE POST. GROUP MAILBOX SUPPORTS SHOULD BE PLACED ON THREE (3) FOOT CENTERS.

MAILBOXES

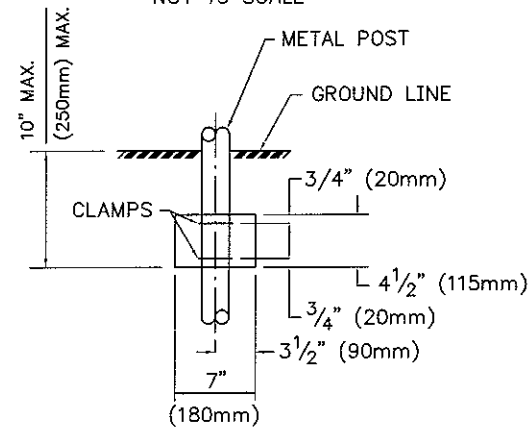
CONTRACTOR SUPPLIED MAILBOXES SHALL MEET THE MINIMUM REQUIREMENTS OF THE LOCAL POSTMASTER.

W = WIDTH OF TREATED SHOULDER.

*M.B. #1 IS THE FIRST MAILBOX SUPPORT NEAREST TO DRIVE. ADD 3' (1.0m) FOR EACH ADDITIONAL SUPPORT.



ANTI-TWIST PLATE
NOT TO SCALE



CUYAHOGA COUNTY ENGINEER

MAIL BOX
FACILITIES

DATE
12-07-99
06-05-01
08-07-01
10-29-01

CONSTRUCTION
DRAWING MD-7C