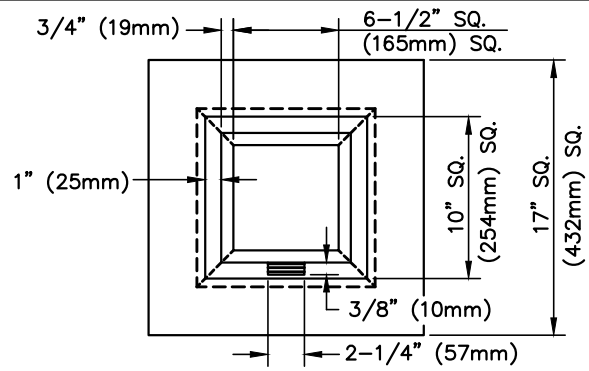
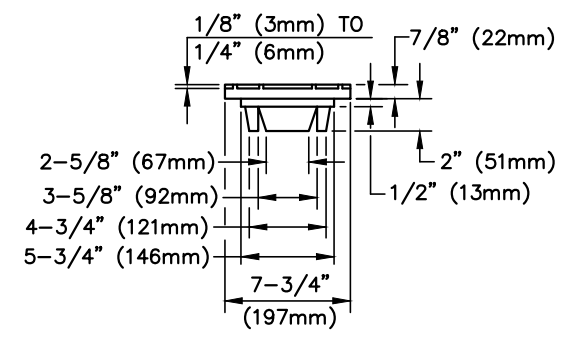


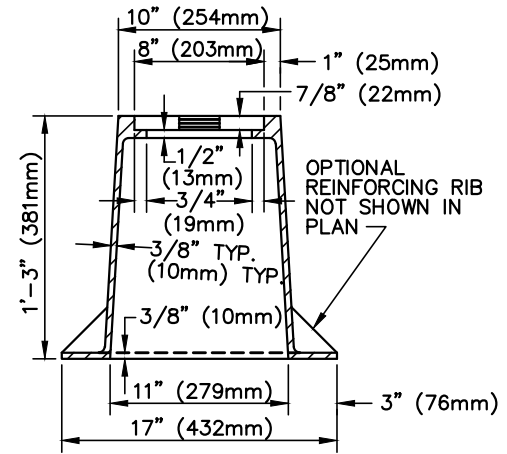
PLAN OF COVER



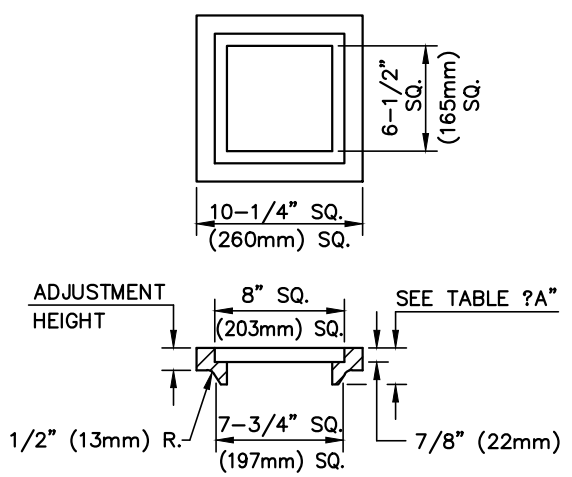
PLAN OF FRAME



SIDE VIEW OF COVER



SECTION OF FRAME

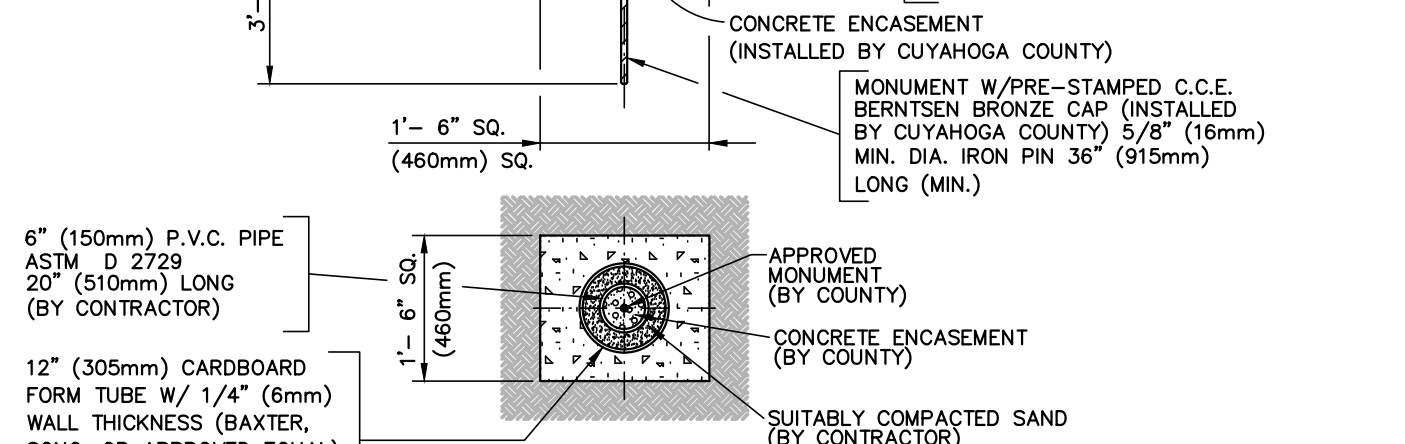
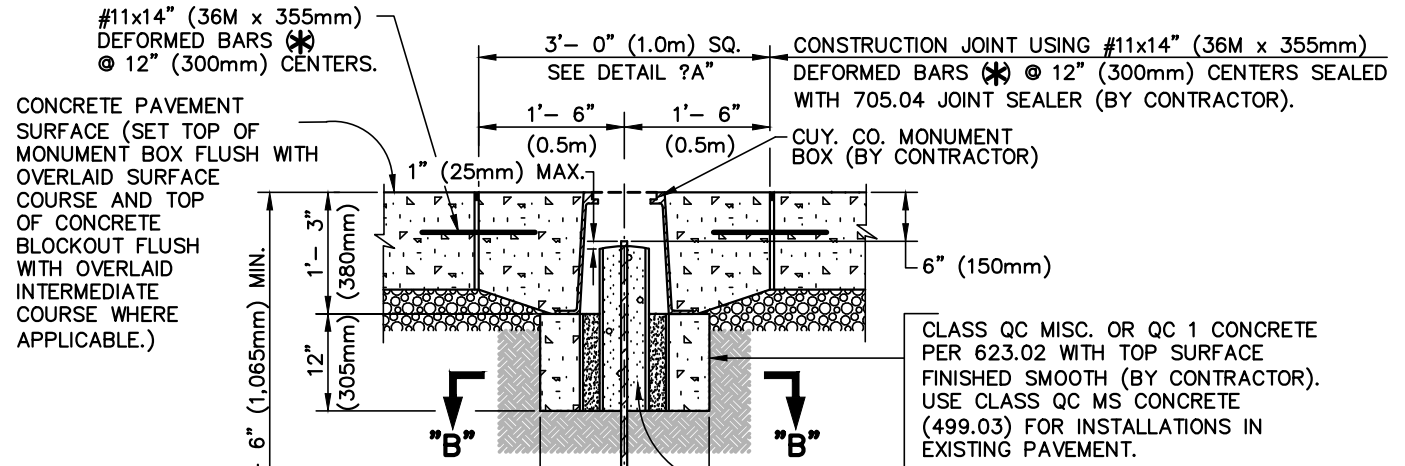


ADJUSTING RING

NOTE: ADJUSTING RING IS TO BE TACK WELDED TO THE FRAME BY AT LEAST TWO (2) POINTS OF AN APPROVED METHOD.

ADJUSTMENT HEIGHT	DIMENSION ?A"	MINIMUM WEIGHTS
1-1/8" (29mm)	2" (51mm)	14-LBS. (6.4kg)
1-1/2" (38mm)	2-3/8" (60mm)	20-LBS. (9.1kg)
2-1/2" (64mm)	3-3/8" (86mm)	27-LBS. (12.2kg)
3" (76mm)	3-7/8" (98mm)	30-LBS. (13.6kg)
3-1/2" (89mm)	4-3/8" (111mm)	32-LBS. (14.5kg)

MONUMENT BOX



SECTION "B-B" CENTERLINE MONUMENT BOX ASSEMBLY, TYPE 1

NOTES
CASTINGS SHALL MINIMALLY MEET THE REQUIREMENTS OF 611.02.G - 711.12, A.S.T.M. A 48, AND MINIMALLY BE CLASS 35B GRAY IRON.
 THE ASSEMBLY SHALL BE ESSENTIALLY THE SAME AND EQUALLY AS STRONG AS THOSE SHOWN HEREON.
 TOTAL MINIMUM WEIGHT = 110 LBS. (50 kg)

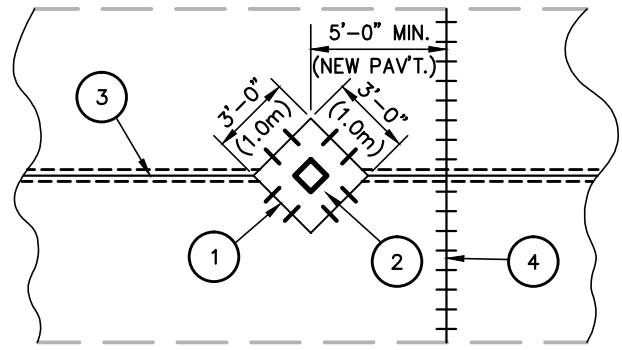
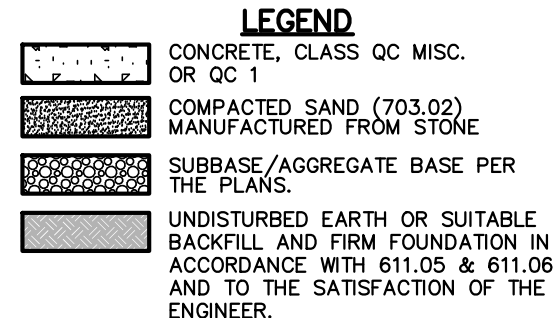
PROVIDED THEY COMPLY WITH THE SPECIFICATIONS, DETAILS, DIMENSIONS AND MINIMUM WEIGHT, NEENAH NO. NF-0000T04 EAST JORDAN NO. 8365 OR APPROVED EQUAL CASTINGS ARE ACCEPTABLE.
 BEARING AREAS SHALL BE FINISHED AS TO PROVIDE A FIRM AND EVEN SEAT. NO PROJECTION SHALL EXIST ON THE BEARING AREAS AND THE COVER SHALL SEAT IN ITS FRAME WITHOUT ROCKING.

PRIOR TO CONSTRUCTION OF PAVEMENT, THE FRAME SHALL BE SET TO GRADE IN SUCH A MANNER THAT WILL PREVENT ANY PAVEMENT MATERIAL FROM ENTERING THE CASTING.
 CONTACT CUYAHOGA COUNTY DEPARTMENT OF PUBLIC WORKS' SURVEY OFFICE AT (216) 348-3846 AT LEAST TWO (2) WEEKS PRIOR TO THE DISTURBANCE OF ANY EXISTING MONUMENTS.

ALL MONUMENTS ARE TO BE SET UNDER THE DIRECTION OF A REGISTERED SURVEYOR. (REF. O.A.C. 4733-37-03)

WHERE CLEVELAND REGIONAL GEODETIC SURVEY (C.R.G.S.) MONUMENT ASSEMBLIES ARE MARKED ON THE PLANS TO BE REMOVED, THE CONTRACTOR SHALL CAREFULLY REMOVE AND STORE THE MONUMENT CASTINGS AND BRONZE C.R.G.S. MARKERS FOR SALVAGE BY THE COUNTY. THE CONTRACTOR SHALL ALSO NOTIFY THE REGIONAL GEODETIC SURVEY OFFICE AT (216) 348-3846, SO THAT THE MONUMENT CASTINGS AND BRONZE C.R.G.S. MARKERS MAY BE PICKED UP. PAYMENT SHALL BE MADE UNDER "ITEM 202-MONUMENT ASSEMBLY REMOVED, CRGS MONUMENT".

PAY ITEMS: (SEE PLAN NOTES)
 ITEM 202- MONUMENT ASSEMBLY REMOVED, CRGS MONUMENT
 ITEM 623- CUYAHOGA COUNTY MONUMENT BOX
 ITEM 623- CUYAHOGA COUNTY CENTERLINE MONUMENT BOX ASSEMBLY, TYPE 1
 ITEM 623- MONUMENT BOX ADJUSTED TO GRADE, AS PER PLAN (ADJUSTING RING MAY BE USED ONLY WHEN EXISTING MONUMENT BOX CONFORMS TO MB-1C AND IS SUITABLE FOR REUSE)



- ① MONUMENT ASSEMBLY BLOCKOUT: CONSTRUCTION JOINT USING #11x14" (36M x 355mm) DEFORMED BARS @ 12" (300mm) CENTERS SEALED WITH 705.04 JOINT SEALER (BY CONTRACTOR).
- ② MONUMENT BOX (BY CONTRACTOR)
- ③ TYPICAL LONGITUDINAL JOINT
- ④ TYPICAL CONTRACTION JOINT.

DETAIL "A"

TYPICAL BLOCK OUT IN RIGID PAVEMENT. (FOR FULL DEPTH FLEXIBLE PAVEMENT, SET TOP OF CONCRETE BLOCKOUT FLUSH WITH THE PAVED INTERMEDIATE COURSE).

(*) WHEN CONSTRUCTED IN EXISTING PAVEMENT, USE #9x14" (29M x 355mm) DEFORMED BARS INSTALLED PER BP-2.5C (SECTION - TYPE T).

CUYAHOGA COUNTY ENGINEER

MONUMENT BOX AND TYPE 1 CENTERLINE MONUMENT BOX ASSEMBLY

CONSTRUCTION DRAWING MB-1C

DATE
 12-02-97
 12-07-99
 10-29-01
 08-20-03
 08-08-05
 10-10-08
 06-16-11
 10-31-13