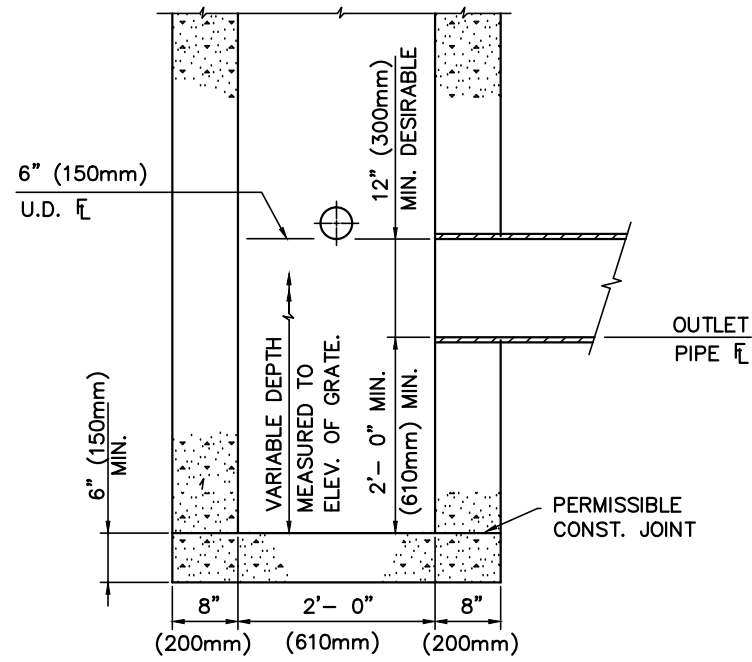


*SECTION "B - B"



*SECTION "A - A"

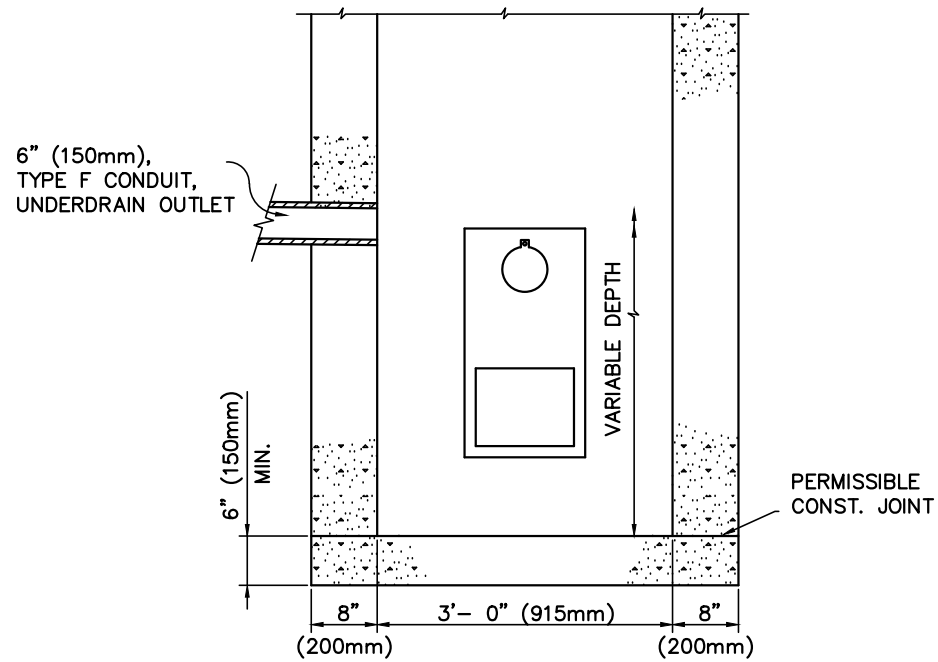
CUYAHOGA COUNTY 3C CATCH BASIN W/SUMP

NOTES

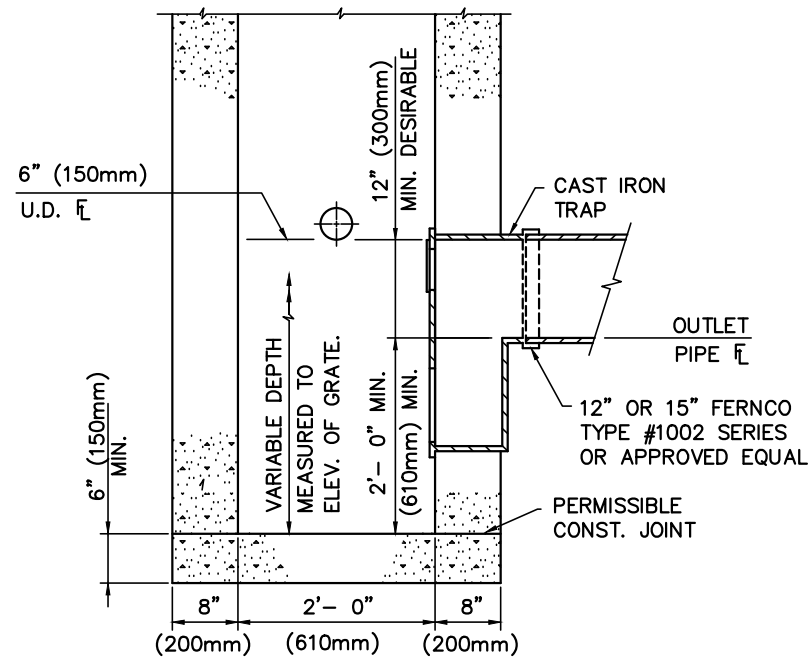
* TO BE USED IN CONJUNCTION WITH THE CUYAHOGA COUNTY ENGINEER'S CONSTRUCTION DRAWING CB-3C (CB-3CM). SUMP AND TRAPS ARE REQUIRED FOR COMBINATION (STORM/SANITARY) SEWER SYSTEMS.

CASTING: CAST IRON TRAP SHALL CONFORM TO THE APPLICABLE REQUIREMENTS OF 611.02.G (711.12, ASTM A 48, AND MINIMALLY BE CLASS 35B GRAY IRON), AND SHALL HAVE A MINIMUM WEIGHT OF ONE-HUNDRED AND FORTY-FIVE (145) POUNDS (66 kg) ±5%. PROVIDED THEY COMPLY WITH THE SPECIFICATIONS, DETAILS, DIMENSIONS AND MINIMUM WEIGHTS, NEENAH No. R-3707-12, EAST JORDAN No. 5964-12 OR APPROVED EQUAL CASTINGS ARE ACCEPTABLE. IF FIFTEEN (15) INCH (375mm) OUTLET PIPES ARE REQUIRED, USE NEENAH No. R-3707-15, EAST JORDAN No. 5964-15 OR APPROVED EQUAL CASTINGS HAVING A MINIMUM WEIGHT OF ONE-HUNDRED AND SIXTY (160) POUNDS (73 kg) ± 5%.

PAYMENT: ALL MATERIALS (INCLUDING TRAP), LABOR, EXCAVATION AND BACKFILL SHALL BE PAID UNDER "ITEM 611 - CATCH BASIN, CUYAHOGA COUNTY No. 3C WITH SUMP AND TRAP, AS PER PLAN" OR "ITEM 611 - CATCH BASIN, CUYAHOGA COUNTY No. 3C WITH SUMP, AS PER PLAN".



*SECTION "B - B"



*SECTION "A - A"

CUYAHOGA COUNTY 3C CATCH BASIN W/SUMP & TRAP

CUYAHOGA COUNTY ENGINEER

CATCH BASIN WITH SUMP OR WITH SUMP AND TRAP

DATE

12-07-99
10-29-01
07-07-09
10-31-13

CONSTRUCTION DRAWING CB-3C S/T

