

**PLAN  
PAVEMENT & JOINT REPAIRS**

**SECTION A-A:** THIS JOINT, WHEN CONSTRUCTED/RECONSTRUCTED LONGITUDINALLY, SHALL BE A "TYPE D JOINT" PER O.D.O.T. S.C.D. BP-2.1 (OR "SECTION - TYPE T" JOINT WHERE APPROVED BY THE ENGINEER) FOR REPAIR LENGTHS OF TEN (10) FEET (3.0m) OR MORE (SEE NOTE 5). THE DEFORMED BARS SHALL BE SPACED AT UNIFORM 24" (610mm) TO 30" (760mm) CENTERS ALONG LONGITUDINAL JOINTS (LOCATED AT THE MIDPOINTS BETWEEN THE EXISTING TIE BARS ALONG EXISTING LONGITUDINAL JOINTS) AND BEGIN OR END 12" (300mm) TO 15" (380mm) FROM TRANSVERSE JOINTS. FOR REPAIR LENGTHS LESS THAN TEN (10) FEET (3.0m), INSTALL A 1/4" (6.4mm) WIDE 705.03 BOND BREAKER (W/O TIE BARS) FOR THE FULL DEPTH/LENGTH OF PAVEMENT EXCEPT THAT THE TOP QUARTER (1/4") INCH (6.4mm) SHALL BE SEALED WITH 705.04 JOINT SEALER.

WHEN CONSTRUCTED TRANSVERSELY, THIS JOINT SHALL BE A "SECTION-TYPE Y" JOINT AS DETAILED ON THIS SHEET. THE DOWELS SHALL BE SPACED AT 12" (300mm) CENTERS ALONG TRANSVERSE JOINTS (LOCATED AT THE MIDPOINTS BETWEEN THE EXISTING DOWELS ALONG EXISTING TRANSVERSE JOINTS), EXCEPT THAT A 12" (300mm) TO 18" (460mm) SPACE SHALL BE PROVIDED ADJACENT TO A TIED LONGITUDINAL JOINT AND A 12" (300mm) SPACE SHALL BE PROVIDED ADJACENT TO AN UNTIED LONGITUDINAL JOINT OR THE EDGE OF PAVEMENT.

**SECTION B-B:** THIS JOINT SHALL BE CONSTRUCTED AS A STANDARD LONGITUDINAL JOINT IN ACCORDANCE WITH O.D.O.T. S.C.D. BP-2.1 (SEE NOTE 5).

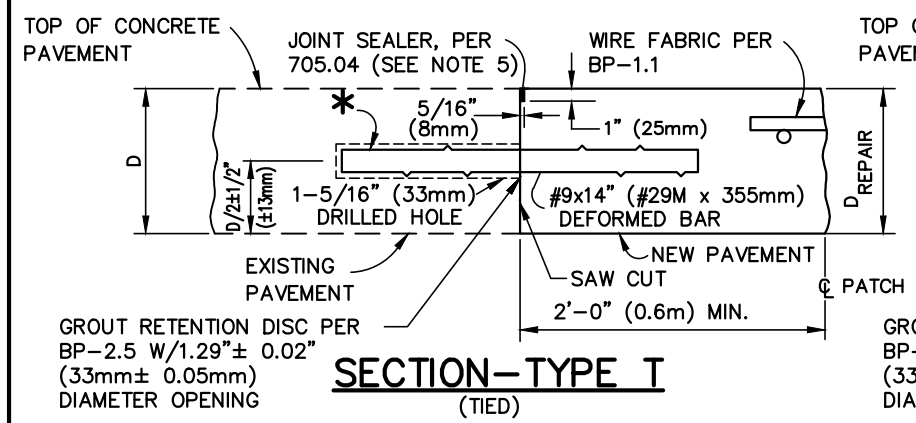
**SECTION C-C:** SEE CUYAHOGA COUNTY CONSTRUCTION DRAWING MD-1C "INTEGRAL CONCRETE CURB REPLACEMENT DETAIL, METHOD B."

**SECTION D-D:** EXISTING CONTRACTION OR HINGE JOINTS SHALL BE RECONSTRUCTED AS A "SECTION-TYPE Y" JOINT. EXPANSION JOINTS SHALL BE RECONSTRUCTED AS A "SECTION-TYPE X" JOINT. BOTH ARE DETAILED ON THIS DRAWING. DOWELS SHALL BE INSTALLED AT 12" (300mm) CENTERS (LOCATED AT THE MIDPOINTS BETWEEN THE EXISTING DOWELS), EXCEPT THAT A 12" (300mm) TO 18" (460mm) SPACE SHALL BE PROVIDED ADJACENT TO A TIED LONGITUDINAL JOINT AND A 12" (300mm) SPACE SHALL BE PROVIDED ADJACENT TO AN UNTIED LONGITUDINAL JOINT OR THE EDGE OF PAVEMENT.

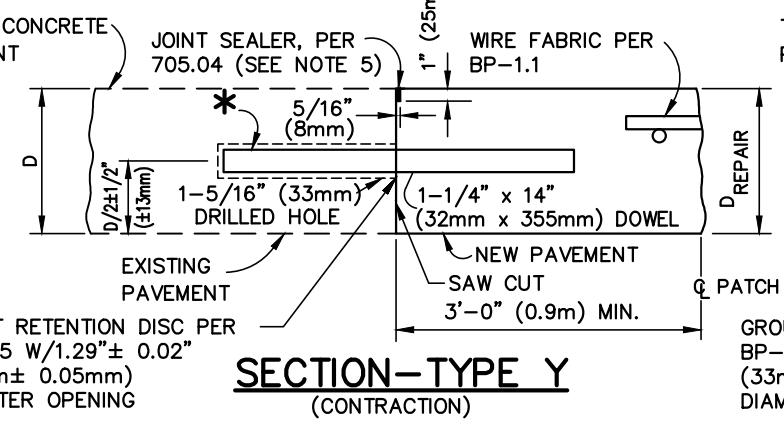
**SECTION E-E:** FOR FULL LANE WIDTH REPAIRS PERFORMED CONTINUALLY THROUGH EXISTING TRANSVERSE JOINT LOCATIONS, INSTALL A 1/4" (6.4mm) WIDE 705.03 BOND BREAKER (W/O TIE BARS) FOR THE FULL DEPTH/LENGTH OF PAVEMENT EXCEPT THAT THE TOP QUARTER (1/4) INCH (6.4mm) SHALL BE SEALED WITH 705.04 JOINT SEALER. IF REPAIR LENGTH ON ONE SIDE OF THE EXISTING TRANSVERSE JOINT IS TEN (10) FEET (3.0m) OR MORE, USE SECTION "A-A" TIED JOINT ON THAT SIDE OF THE EXISTING TRANSVERSE JOINT.

**NOTES**

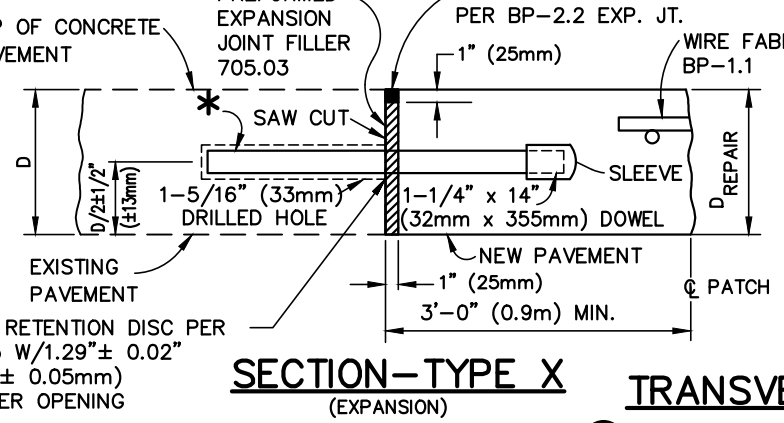
- FOR ADDITIONAL RIGID REPLACEMENT DETAILS, SEE O.D.O.T. S.C.D. BP-2.5. WHERE THE INFORMATION ON THIS DRAWING CONFLICTS WITH BP-2.5, THIS DRAWING SHALL GOVERN.
- THIS DRAWING IS USED IN CONJUNCTION WITH O.D.O.T. STANDARD CONSTRUCTION DRAWINGS BP-1.1, BP-2.1, BP-2.2 AND BP-2.5; AND THE CUYAHOGA COUNTY ENGINEER'S CONSTRUCTION DRAWING MD-1C.
- ALL WORK SHALL CONFORM TO "ITEM 255-FULL DEPTH PAVEMENT REMOVAL AND RIGID REPLACEMENT, CLASS QC MS, OR QC FS, AS PER PLAN, AS INDICATED IN THE PLANS. (SEE PLAN NOTE AND ALL THE DETAILS, PROPOSAL NOTES AND SPECIFICATIONS REFERENCED THEREIN.)
- EXCEPT FOR LONGITUDINAL JOINT REPAIRS (SECTION "F-F"), ALL REPAIRS ARE TO EXTEND THE FULL WIDTH OF THE LANE. OMIT WIRE FABRIC REINFORCEMENT WHEN LENGTH OF REPAIR IS LESS THAN TEN (10) FEET (3.0m) FOR "CLASS QC MS" CONCRETE ONLY. WHERE THE LENGTH BETWEEN TWO (2) SEPERATE REPAIR AREAS IN THE SAME LANE IS LESS THAN TEN (10) FEET (3.0m), COMBINE THE REPAIR AREAS INTO ONE LARGE REPAIR, ALL AS DIRECTED BY THE ENGINEER.
- THE WIDTH OF THE LONGITUDINAL JOINT (BP-2.1) AND CONTRACTION JOINT (BP-2.2) SEALANT RESEVOIRS SHALL BE 5/16" (7.9mm) ± 1/16" (1.6mm). LONGITUDINAL JOINTS (BP-2.1) AND SECTION - TYPE T JOINTS SHALL BE NEATLY FILLED FLUSH TO THE SURFACE WITHOUT EXCESS USING 705.04 JOINT SEALER. CONTRACTION JOINTS (BP-2.2) AND SECTION - TYPE Y JOINTS SHALL BE SEALED WITH 705.04 JOINT SEALER IN AN ACCEPTABLY NEAT MANNER TO APPROXIMATELY 1/8" (3.2mm) TO 1/4" (6.4mm) BELOW THE PAVEMENT SURFACE.
- SEE THE CUYAHOGA COUNTY ENGINEER'S CONSTRUCTION DRAWING MD-3C "REPAIR OF RIGID PAVEMENT OPENINGS" WHEN PAVEMENT REPLACEMENTS ARE NECESSITATED BY TRENCH OPENINGS.



**SECTION-TYPE T  
(TIED)**



**SECTION-TYPE Y  
(CONTRACTION)**

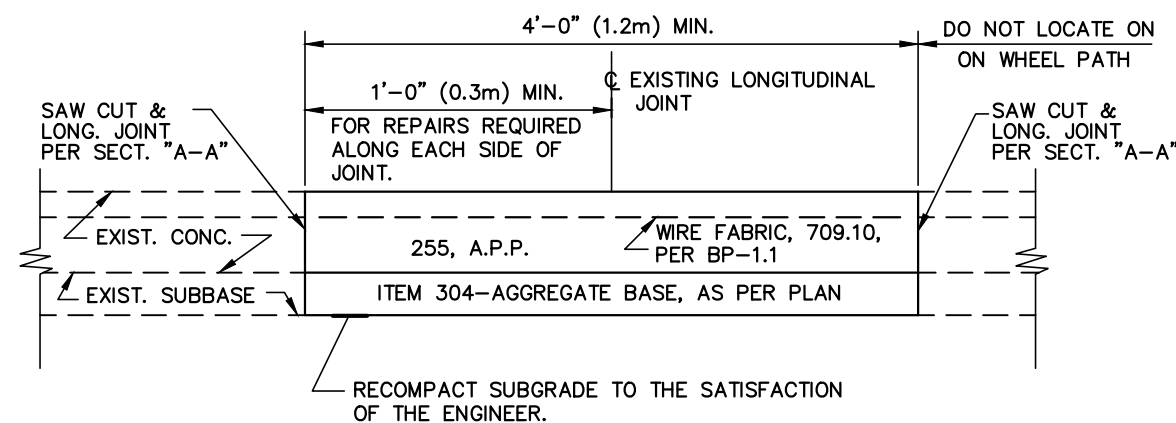


**SECTION-TYPE X  
(EXPANSION)**

**TRANSVERSE JOINT LEGEND**

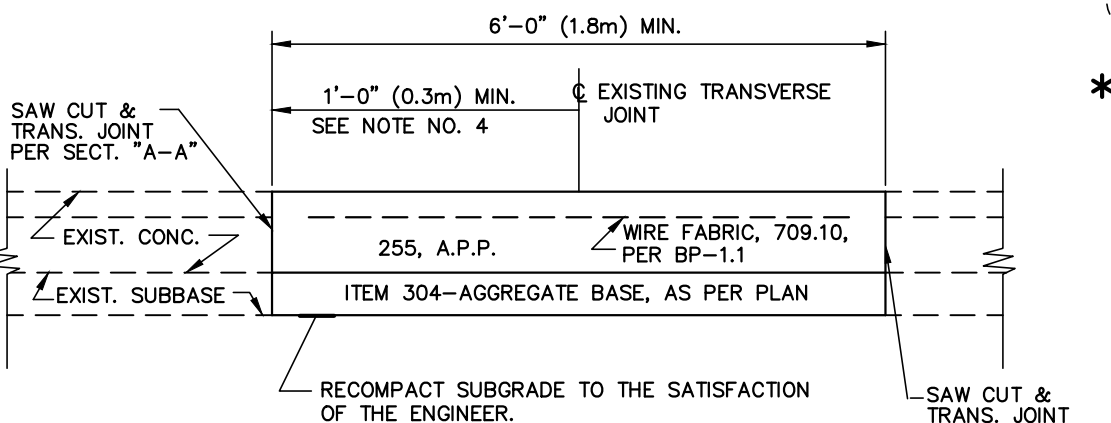
- (C) - PER BP-2.2 CONTRACTION JOINT (SEE NOTE 5)
- (E) - PER BP-2.2 EXPANSION JOINT
- (H) - EXISTING HINGE (WARPING) JOINT
- \* 705.20 ANCHORING MATERIAL
- \*\* REPLACE EXISTING TRANSVERSE JOINTS PER BP-2.2 WHEN REPAIR LENGTH ON BOTH SIDES OF THE EXISTING TRANSVERSE JOINT IS A MINIMUM OF SIX (6) FEET (1.8m). REPLACE EXISTING (C) OR (E) IN KIND. REPLACE (H) WITH (C).

**STRUCTURAL JOINT REPAIR IN RIGID PAVEMENT OR BASE**



**SECTION "F-F"  
LONGITUDINAL JOINT REPAIR**

LENGTH AS DESIGNATED BY THE ENGINEER, WHEN 5'- 0" (1.5m) OR LESS TO THE NEAREST TRANSVERSE JOINT, REPLACE TO JOINT. FOR HIGH-SEVERITY REPAIRS, BEGIN AND END ON TRANSVERSE JOINT LOCATIONS.



**SECTION "G-G"  
TRANSVERSE JOINT REPAIR  
(FULL LANE WIDTH)**

**CUYAHOGA COUNTY ENGINEER**

**STRUCTURAL RIGID PAVEMENT & JOINT REPAIRS**

**CONSTRUCTION DRAWING BP-2.5C**

**DATE**  
05-05-97  
12-07-99  
08-15-00  
10-29-01  
02-10-03  
06-11-03  
03-01-05  
08-28-07  
10-10-08  
07-07-09  
06-16-11  
10-31-13