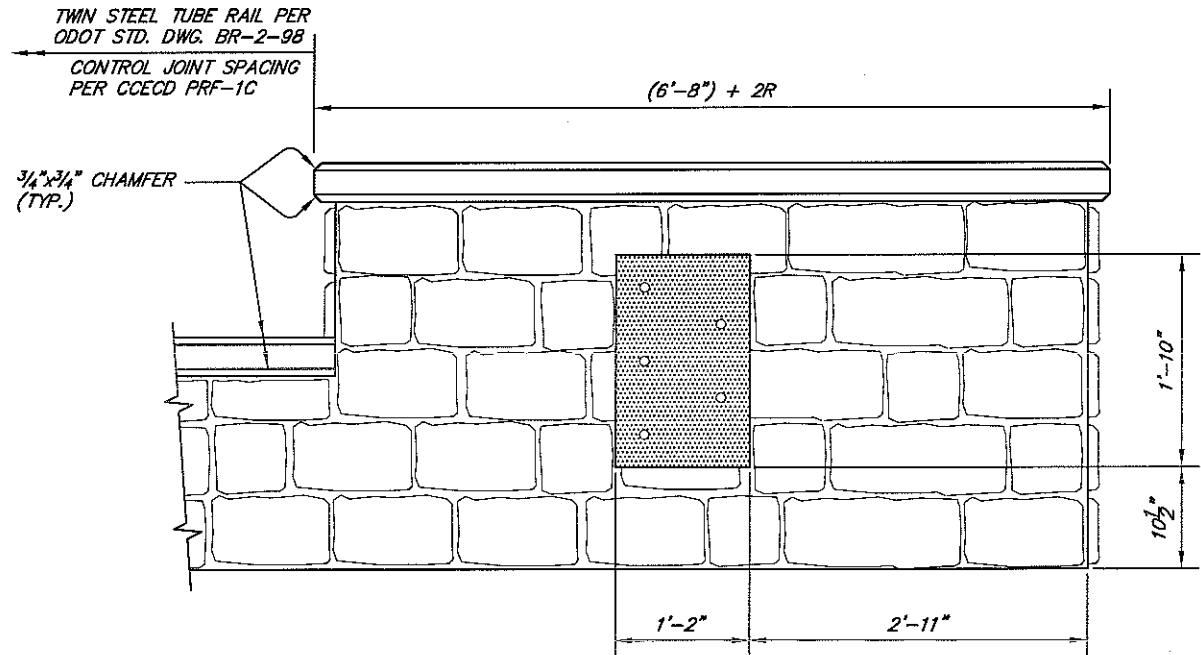


PARAPET END POST ELEVATION
(INSIDE FACE ADJACENT TO SIDEWALK)

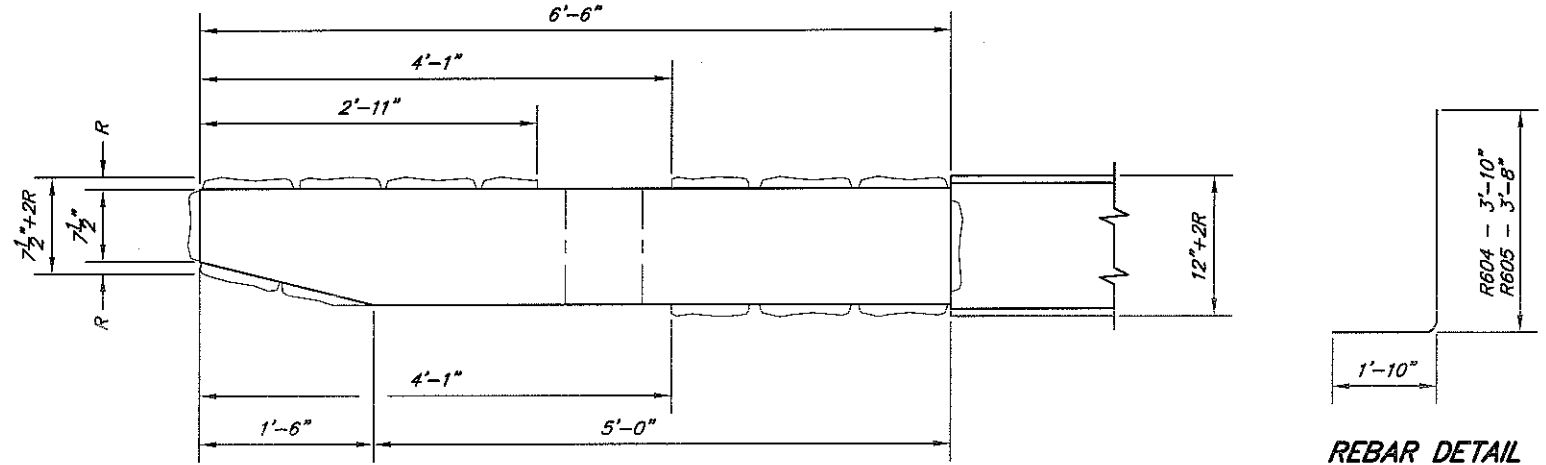
SECTION A-A
(REINFORCING NOT SHOWN—REFER TO SECTION B-B FOR DETAILS)

SECTION B-B

SECTION C-C



PARAPET END POST ELEVATION
(OUTSIDE FACE)



REBAR DETAIL
(FOR ALL OTHER REBAR DETAILS, SEE ODOT STD. DWG. BR-2-98)

NOTES:

1. THIS DRAWING IS TO BE USED IN CONJUNCTION WITH ODOT STD. DWG. BR-2-98.
2. STEEL REINFORCEMENT SHALL BE AS PER ODOT STD. DWG. BR-2-98 EXCEPT THAT BARS R501, R502, R601, R602 AND/OR R603 WILL NEED TO BE REDESIGNED TO ACCOMMODATE THE MODIFIED SHAPE OF THE PARAPET END POST AS DETAILED ABOVE.
3. ALL AESTHETIC STONE IS TO BE STAINED AND/OR SEALED AS DETAILED IN THE PROJECT PLANS.
4. THE 4" CONCRETE CAP SHALL BE SEALED WITH AN ELASTOMERIC COATING. THE COLOR SHALL BE DEFINED IN THE PROJECT PLANS.
5. THE FORM LINER PATTERN SHOWN ON THESE DETAILS ARE FOR ILLUSTRATIVE PURPOSES ONLY. THE ACTUAL FORM LINER PATTERN TO BE USED SHALL BE DEFINED AND/OR DETAILED IN THE PROJECT PLANS AND SHALL CONFORM TO NCHRP REPORT 554.
6. DIMENSION "R" SHALL BE THE DEPTH OF RELIEF AS DEFINED IN THE PROJECT PLANS.
7. PARAPET CONTROL JOINTS SHALL BE SPACED PER CUYAHOGA COUNTY ENGINEER CONSTRUCTION DRAWING PRF-1C. THE DEPTH OF EACH CONTROL JOINT SHALL BE THE DEPTH OF THE AESTHETIC RELIEF (DIMENSION "R") PLUS ONE-HALF INCH (1/2").

LEGEND:

- AREAS TO BE STAINED AND/OR SEALED PRIOR TO INSTALLING THE BRIDGE TERMINAL ASSEMBLY
- CCECD = CUYAHOGA COUNTY ENGINEER CONSTRUCTION DRAWING
- DWG. = DRAWING
- F.S. = FAR SIDE
- NCHRP = NATIONAL COOPERATIVE HIGHWAY RESEARCH PROGRAM
- N.S. = NEAR SIDE
- ODOT = OHIO DEPARTMENT OF TRANSPORTATION
- SPA. = SPACES
- STD. = STANDARD
- TYP. = TYPICAL

Plot Scale: 1:2 (Half-Size)

| | |
|---|--|
| DESIGN AGENCY CUYAHOGA COUNTY DEPARTMENT OF PUBLIC WORKS | DATE 8-28-07 |
| DESIGNED DIMM CHECKED | REVIEWED BGF 10-20-10 08-26-11 |
| REFERENCES BR-2-98 (ODOT) PRF-1C (CUI. COUNTY) | CONSTRUCTION DRAWING BR-2-98C |
| AESTHETIC DETAILS FOR BRIDGE PARAPETS | |
| CUYAHOGA COUNTY ENGINEER CONSTRUCTION DRAWING BR-2-98C | |
| 1 / 1 | |